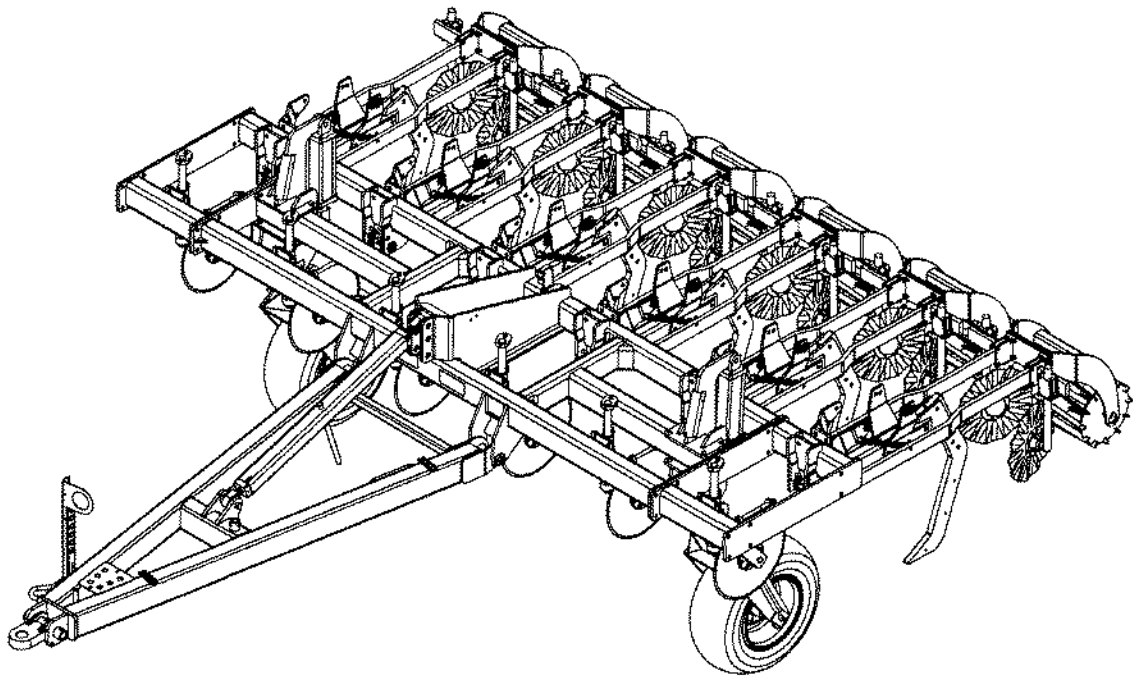




WIL-RICH

357 INLINE RIPPER PARTS



PRINTED IN USA (74192) 7/05

WIL-RICH LLC
P.O. Box 1030 Wahpeton, ND 58074
PH.(701)642-2621
Parts Fax (701)642-3819

WARRANTY

The only warranty Wil-Rich gives and the only warranty the dealer is authorized to give is as follows:

We warrant products sold by us to be in accordance with our published specifications or those specifications agreed to by us in writing at time of sale. Our obligation and liability under this warranty is expressly limited to repairing, or replacing, at our option, within 12 months after date of retail delivery, any product not meeting the specifications. ***We make no other warranty, express or implied and make no warranty of merchantability or of fitness for any particular purpose.*** Our obligation under the warranty shall not include any transportation charges or costs or installation or any liability for direct, indirect or consequential damage or delay. If requested by us, products or parts for which a warranty claim is made are to be returned transportation prepaid to our factory. Any improper use, operation beyond rated capacity, substitution of parts not approved by us, or any alteration or repair by others in such manner as in our judgment affects the product materially and adversely shall void this warranty. ***No employee or representative is authorized to change this warranty in any way or grant any other warranty.***

Wil-Rich reserves the right to make improvement changes on any of our products without notice.

When warranty limited or not applicable: Warranty on hoses, cylinders, hubs, spindles, engines, valves, pumps or other trade accessories are limited to the warranties made by the respective manufactures of these components. Rubber tires and tubes are warranted directly by the respective tire manufacturer only, and not by Wil-Rich.

Warranty does not apply to any machine or part which has been repaired or altered in any way so as in the our judgment to affect its reliability, or which has been subject to misuse, negligence or accident.

A Warranty Validation and Delivery Report Form must be filled out and received by Wil-Rich to initiate the warranty coverage.

WARRANTY CLAIMS PROCEDURE

1. The warranty form must be returned to Wil-Rich within fifteen (15) working days from the repair date.
2. Parts returned to Wil-Rich without authorization will be refused. The parts must be retained at the dealership for ninety (90) days after the claim has been filed. If the Service Department would like to inspect the parts, a packing slip will be mailed to the dealer. The packing slip must be returned with the parts. The parts must be returned prepaid within thirty (30) days of receiving authorization. After the parts are inspected and warranty is verified, credit for the return freight will be issued to the dealer.
3. Parts that will be scrapped at the dealership will be inspected by Wil-Rich Sales Representatives, District Sales Managers or Service Representatives within the ninety (90) day retaining period.

Contents

ORIENTATION

Any reference to left (L) or right (R) sides or components is to be understood as being viewed from behind the implement and looking forward.

SERIAL NUMBER BREAK

Every implement has a serial number located on the frame. These serial numbers are consecutively assigned to the implements as they are manufactured. To aid in part ordering, we reference the serial number at the point the change occurred to provide an accurate means of determining the proper parts.

MODIFICATIONS

It is the policy of Wil-Rich Operations to improve its products whenever possible and practical to do so. We reserve the right to make changes, improvements, and modifications at any time without incurring the obligation to make such changes, improvements and modifications on any equipment sold previously.

ABBREVIATIONS

ASSY	Assembly
BLD	Blade
BRKT	Bracket
CTR	Center
GR	Grade of Bolt
HD	Heavy Duty
HDWE	Hardware
MF	Main frame
MTG	Mounting
NC ..	National Coarse Thread
NF	National Fine Thread

MAIN FRAME	4-8
MF CROSS TUBE	9
GAUGE WHEELS	10-12
COULTER CUTTERS	13,14
PULL HITCH	15
LIFT STATION	16,17
SHANK ASSY	18-21
DISK HILLER	22
ROW SEALER	23
SLOT TILL GANG ASSY	24,25
RIPPER POINTS	26-29
HYDRAULICS	30-33
HYD CYLINDER	34
HYDRAULIC MARKERS	36-40
DECALS	41
SAFETY LIGHTS	42-44

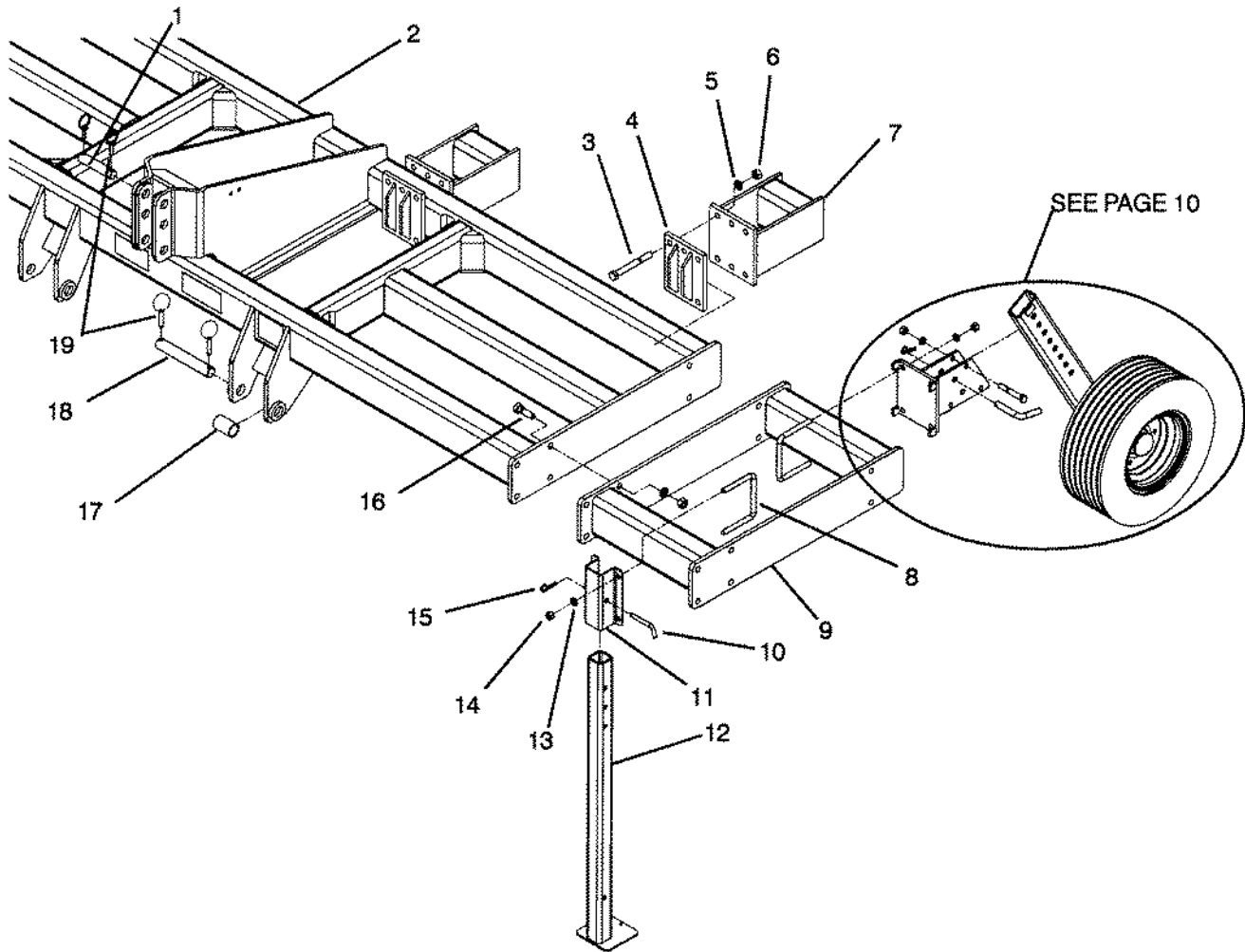
NOTE: Standard nuts and lock washers are not called out. Anything other than standard will be called out.

STANDARD NUTS AND LOCK WASHERS

88172 1/4NC Nut	88262 1/4 Lock Washer
881033/8NC Nut	883623/8 Lock Washer
88104 1/2NC Nut	88303 1/2 Lock Washer
881265/8NC Nut	881295/8 Lock Washer
881103/4NC Nut	881303/4 Lock Washer
88371 7/8NC Nut	88341 7/8 Lock Washer

MAIN FRAME 3,4 THRU 7&8 SHANK

SERIAL NUMBER 454655 AND ABOVE

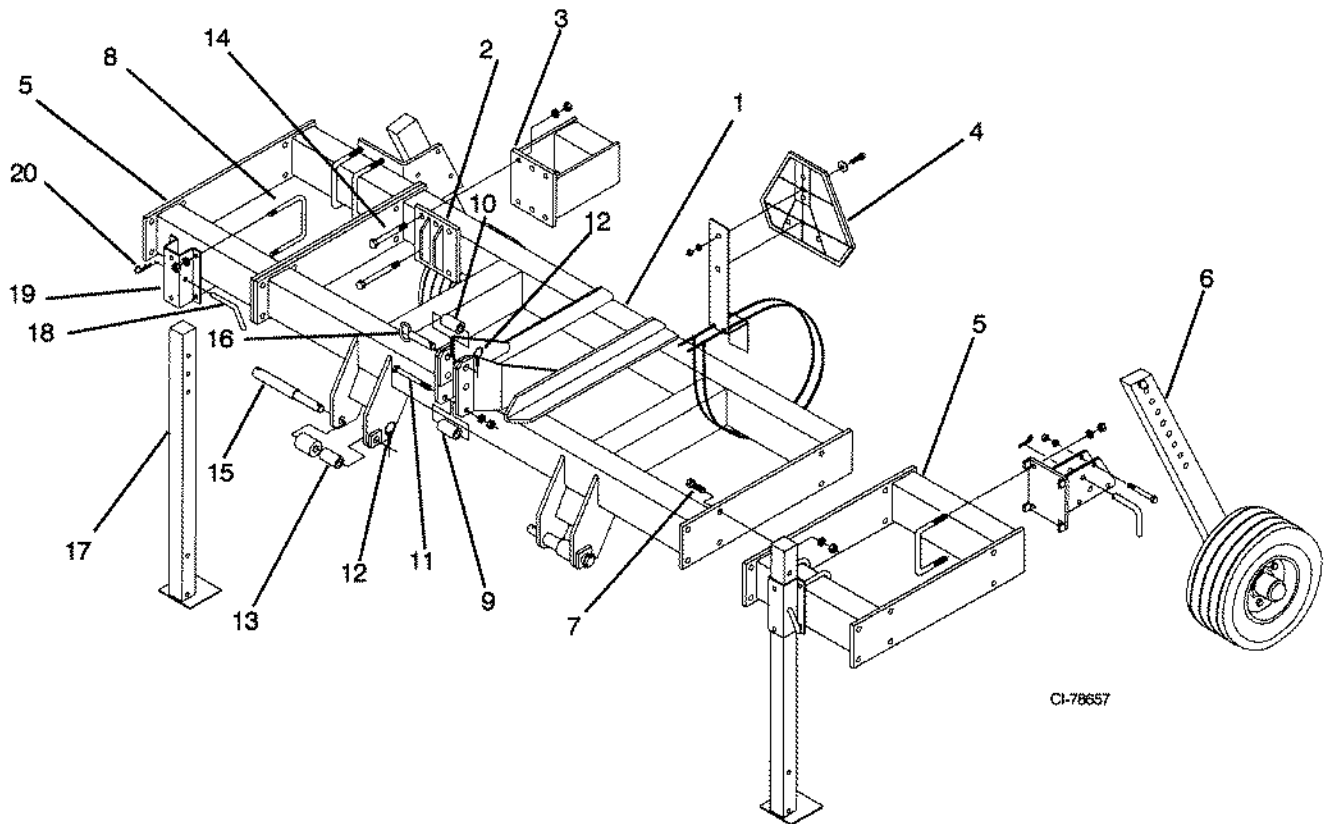


Item	Part No.	Description
1	234390	UPPER 3PT PIN 1-1/4x5.91
2	234234	357 MAIN FRAME 4 THRU 7 SHANK
	233583	357 MAIN FRAME 8 SHANK 30"
	234233	357 MAIN FRAME 3 SHANK
3	88600	3/4NCx6-1/2 GR8 BOLT
4	62323	BACKING PLATE
5	88130	3/4 LOCK WASHER
6	88110	3/4NC NUT
7	62318	HD MOUNTING BRACKET
8	89093	5/8NCx6x5-1/2 U-BOLT
9	234230	1'9" FRAME EXTENSION
	234232	2'8" FRAME EXTENSION
10	235904	1/2x4 BENT PIN
11	59008	PARKING STAND RETAINER
12	58999	PARKING STAND LEG
13	88129	5/8 LOCK WASHER
14	88126	5/8NC NUT
15	23039	2.69" COTTER PIN

Item	Part No.	Description
16	88404	3/4NCx2-1/2 BOLT
17	62452	SPACER 1-7/8ODx1.5
18	234102	LOWER 3 PT PIN 1-7/16x9.53
19	32990	7/16x1-1/2 CLICK PIN

MAIN FRAME 3&5 SHANK

Serial Numbers 447801 thru 454619



Item	Part No.	Description
1	65776	357 Ripper 3 Shank Main Frame (88")
	65777	357 Ripper 5 Shank Main Frame (129")
	*62462	357 Ripper 3 Shank Main Frame (88")
	*62463	357 Ripper 5 Shank Main Frame (129")
2	62323	Mounting Plate
3	62318	Stub Mounting Bracket
4	41345	SMV Kit
5	59077	1' 9" Frame Extension
	58986	2' 8" Frame Extension
6		Gauge Wheel Assembly (See page 10)
7	88404	3/4NC x 2-1/2 GR5 Bolt
8	89093	5/8NCx6x5-1/2 U-Bolt
9	68019	Tube (1-5/8OD x 1.063 ID x 3.25) Serial Numbers 452200 and Above
	62579	Bushing (1-1/4 OD x .770 ID x 3-1/4) Serial Numbers 452200 thru 447800
10	19432	Bushing (1.245 OD x .781 ID x 2-1/4")
11	88670	1NC x 5 1-2 GR5 Bolt
12	32990	Click Pin 7/16x1-1/2

*** ITEM NOT AVAILABLE**

Item	Part No.	Description
13	62452	Spacer (1-7/8 OD x 1.50 ID x 2.81)
14	88600	3/4NCx 6-1/2 GR8 Bolt
15	62453	Hitch Pin 1-7/16x10-29/32
16	65779	Upper Hitch Pin 1-1/4x7-1/32 Serial Numbers 452200 and Above
	61023	Hitch Pin 1x4-9/16 Serial Numbers 452200 thru 447800
17	59165	Parking Stand W/Hardware
	58999	Parking Stand Leg
18	23048	Pin Bent 1/2x3-5/16
19	59008	Parking Stand Retainer
20	23039	Cotter Hair Pin

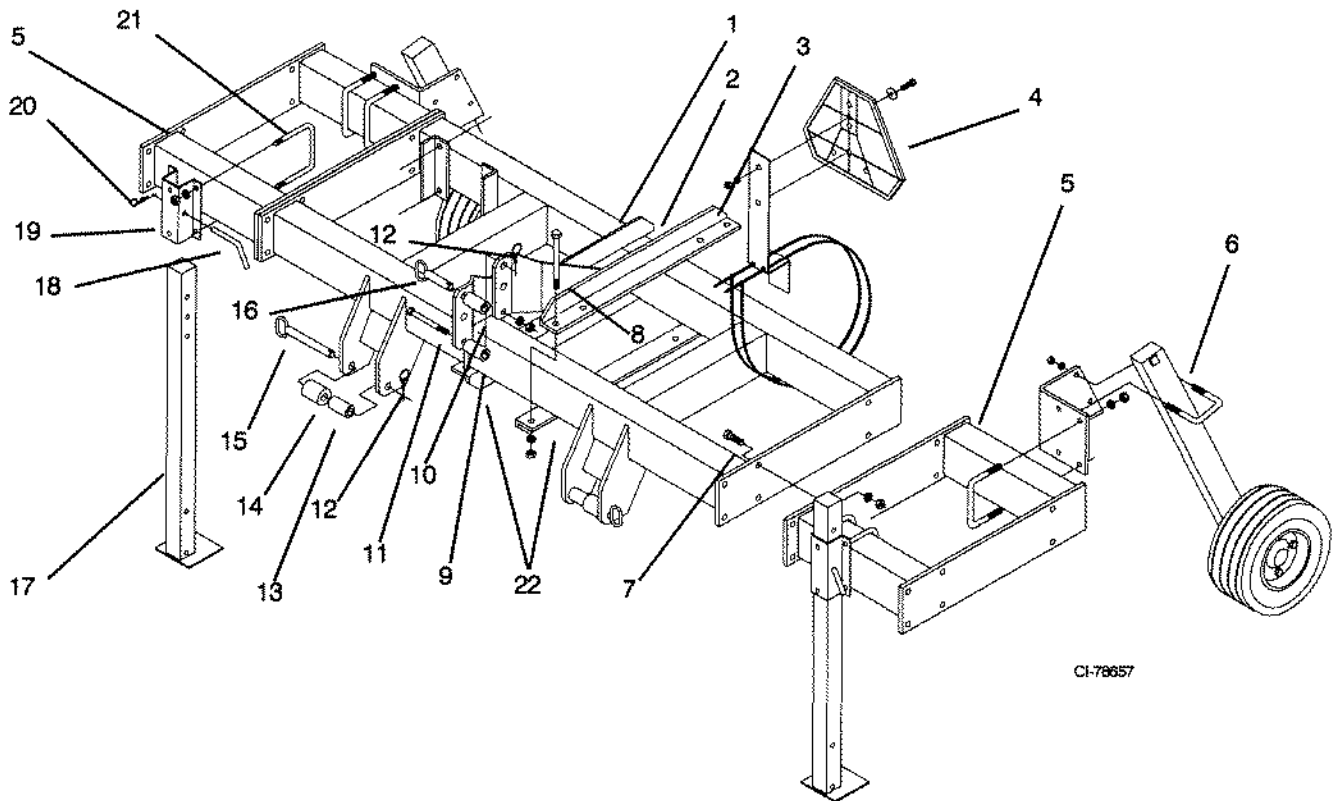
NOTE: Standard nuts and lock washers are not called out. Anything other than standard will be called out.

STANDARD NUTS AND LOCK WASHERS

88172	1/4NC Nut	88262	1/4 Lock Washer
88103	3/8NC Nut	88362	3/8 Lock Washer
88104	1/2NC Nut	88303	1/2 Lock Washer
88126	5/8NC Nut	88129	5/8 Lock Washer
88110	3/4NC Nut	88130	3/4 Lock Washer
88371	7/8NC Nut	88341	7/8 Lock Washer

MAIN FRAME 3&5 SHANK

Serial Numbers 447800 and Below



Item	Part No.	Description
1	58997	357 Ripper 3 Shank Main Frame(88")
	58980	357 Ripper 5 Shank Main Frame(129")
2	58991	3-PT. Mast - Right
3	58992	3-PT. Mast - Left
4	41345	SMV Kit
5	59077	1' 9" Frame Extension
	58986	2' 8" Frame Extension
6		Gauge Wheel Assembly (See page 12)
7	88404	3/4NC x 2-1/2 GR5 Bolt
8	88403	3/4NC x 8 GR5 Bolt
9	23008	Bushing (1.245 OD x .781 IDx 2-1/4")
10	23219	Bushing (1-1/4 OD x 1.032 IDx 2-1/4")
11	88305	3/4NC x 5 GR5 Bolt
12	32990	Click Pin 7/16x1-1/2
13	23010	Bushing (1-7/16 OD x 1.125 ID x 2.86)
14	13590	Spacer Tube(1-3/4 OD x1-3/16 ID x 2-25/32)
15	32998	Pin (1-1/8 Dia x 7-3/4 LG)

Item	Part No.	Description
16	23220	Hitch Pin (1 Dia x 3-3/4)
17	59165	Parking Stand W/Hardware
	58999	Parking Stand Leg
18	23048	Pin 1/2x3-5/16
19	59008	Parking Stand Retainer
20	23039	Cotter Hair Pin
21	89093	5/8NCx6x5-1/2 U-Bolt
22	59102	Angle (Red)

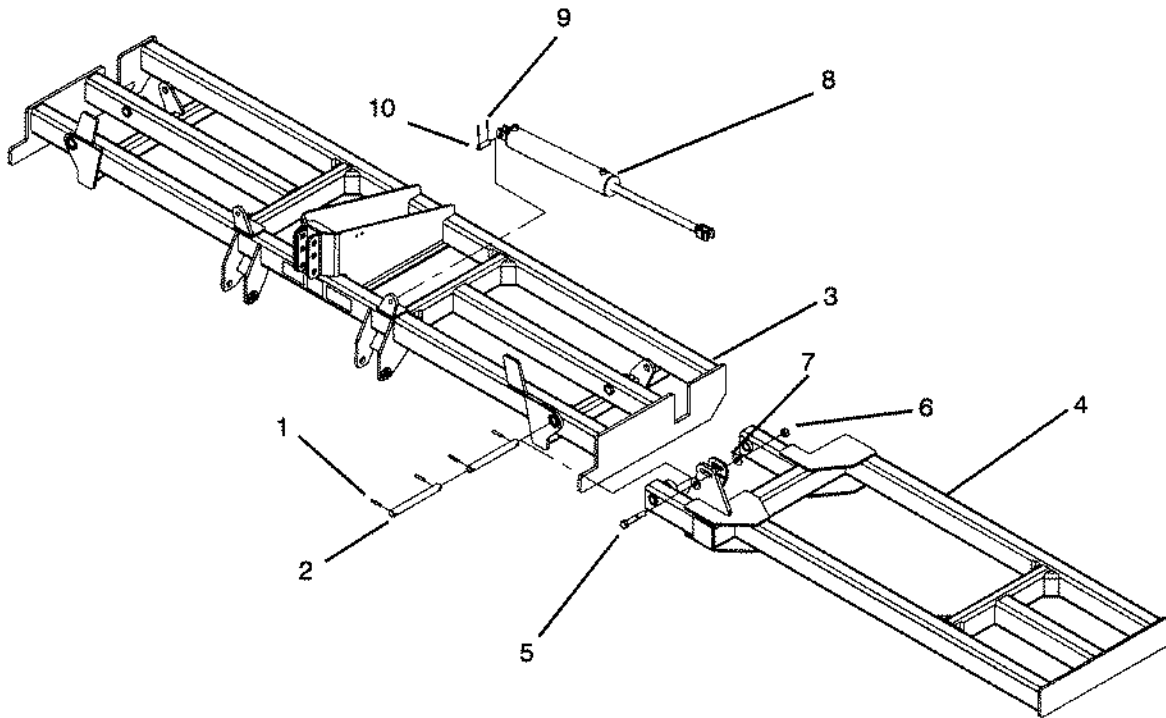
NOTE: Standard nuts and lock washers are not called out. Anything other than standard will be called out.

STANDARD NUTS AND LOCK WASHERS

88172	1/4NC Nut	88262	1/4 Lock Washer
88103	3/8NC Nut	88362	3/8 Lock Washer
88104	1/2NC Nut	88303	1/2 Lock Washer
88126	5/8NC Nut	88129	5/8 Lock Washer
88110	3/4NC Nut	88130	3/4 Lock Washer
88371	7/8NC Nut	88341	7/8 Lock Washer

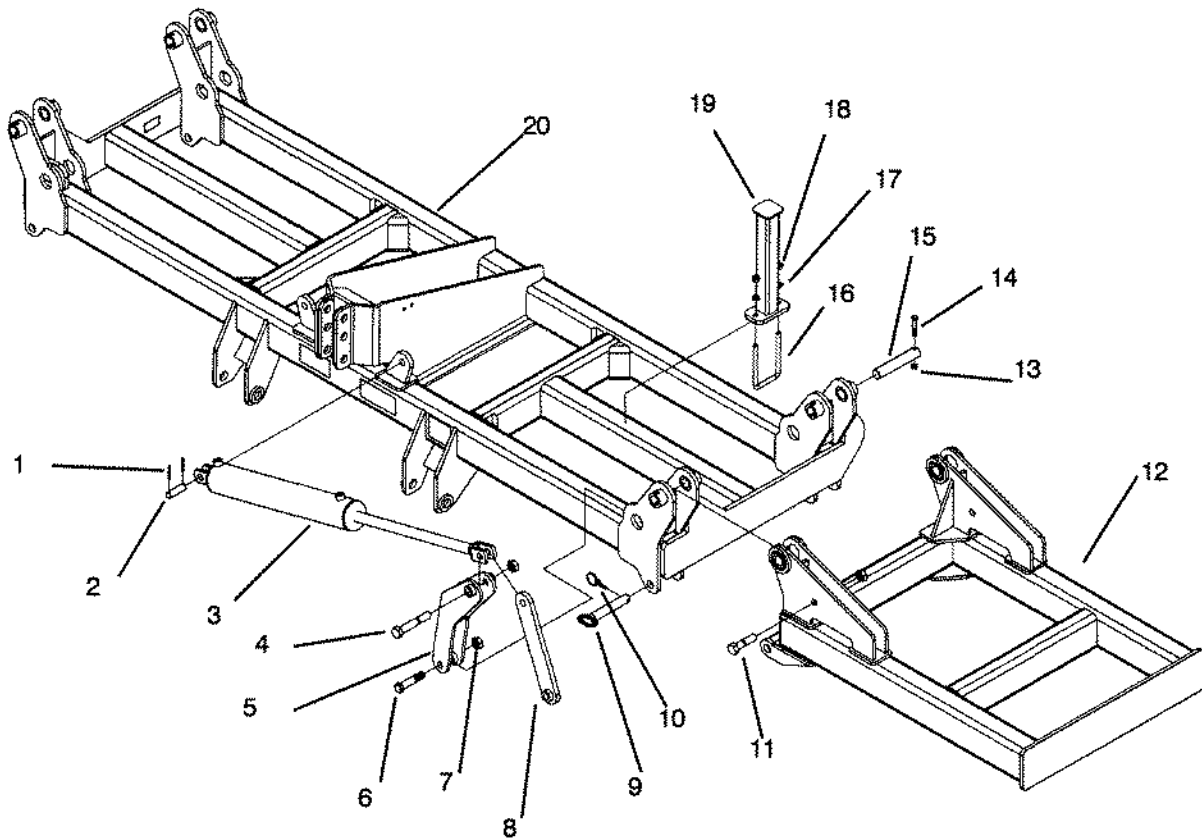
* ITEM NOT AVAILABLE

MAIN FRAME & WING 12 SHANK 30"



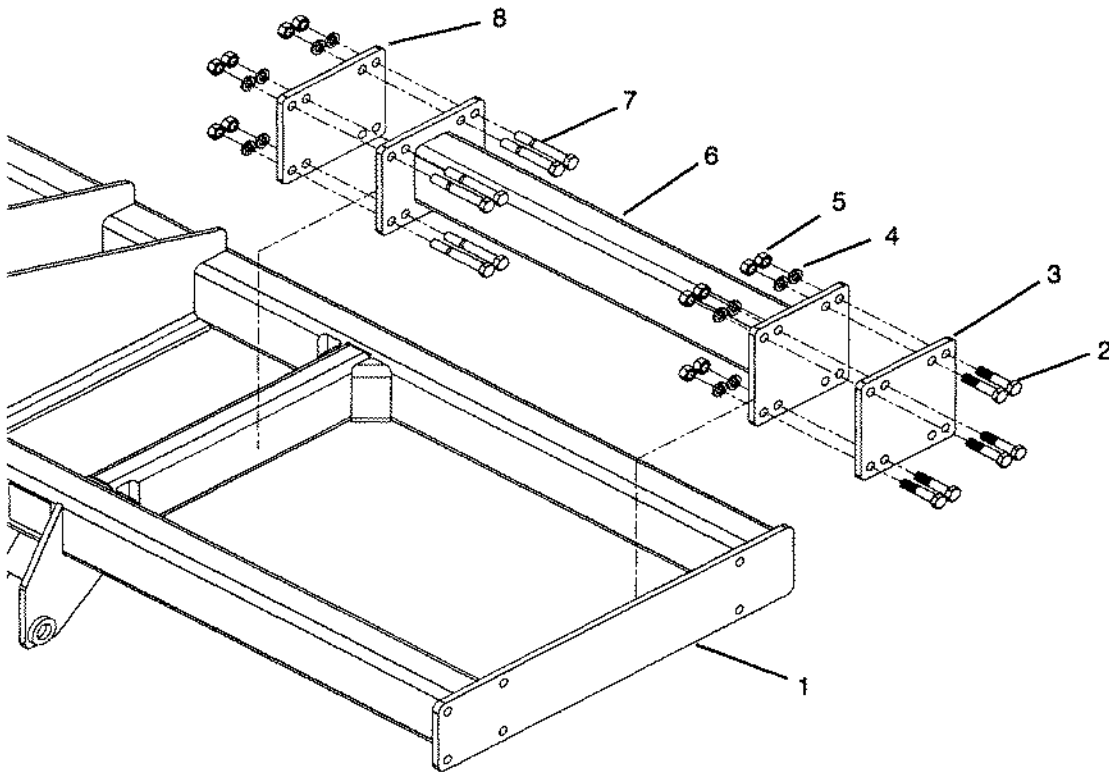
Item	Part No.	Description
1	89059	Roll Pin 1/2x2-1/2
2	235992	Headless Pin 1-1/2x12
3	235964	357 Main Frame for 12 shank 30
4	235971	3 Shank Wing Left
	236509	3 Shank Wing Right
5	88670	BOLT 1NCx5-1/2 GR5
6	89075	NUT 1NC
7	88196	1" FLAT WASHER
8	12062F	5x24 HYD CYLINDER
	233731	5" SEAL KIT
9	42484	ROLL PIN 1/4x2-1/4
10	42472	HEADLESS PIN 1x2-3/8

MAIN FRAME & WING 8 SHANK 30"



Item	Part No.	Description
1	42484	ROLL PIN 1/4x2-1/4
2	42472	HEADLESS PIN 1x2-3/8
3	51226F	4x24 HYD CYLINDER
	233730	4" SEAL KIT
4	88264	1NCx6 GR5 BOLT
5	236533	PIVOT ARM
6	88580	1NCx4-1/2 GR5 BOLT
7	88348	1NC LOCK NUT
8	236536	LINK ARM
9	235569	HITCH PIN 1-1/4x6-3/8
10	32990	CLICK PIN 7/16x1-1/2
11	88398	1NCx4 GR5 BOLT
12	236511	2 SHANK WING (FITS BOTH LEFT & RIGHT)
13	88363	1/2NC LOCK NUT
14	88541	1/2NCx3 GR5 BOLT
15	236541	WING PIVOT PIN 1-1/2x8-1/4
16	89097	5/8NCx4x7-1/4 U-BOLT
17	88129	5/8 LOCK WASHER
18	88126	5/8NC NUT
19	236540	2 SHANK WING REST
20	236505	8 SHANK MAIN FRAME

MAIN FRAME CROSS TUBE



NOTE: CROSS FRAME TUBE IS CENTERED BETWEEN THE FRONT AND REAR MAIN FRAME TUBES. CROSS TUBE IS NEEDED TO CONVERT A UNIT FROM A 3PT TO A PULL TYPE.

NOTE: MAIN FRAME CROSS TUBE CAN BE BOLTED ON YEAR 2003 MODELS. (4,5,6,7, & 8 SHANK FRAMES ONLY) SERIAL # 454655 THROUGH 455226

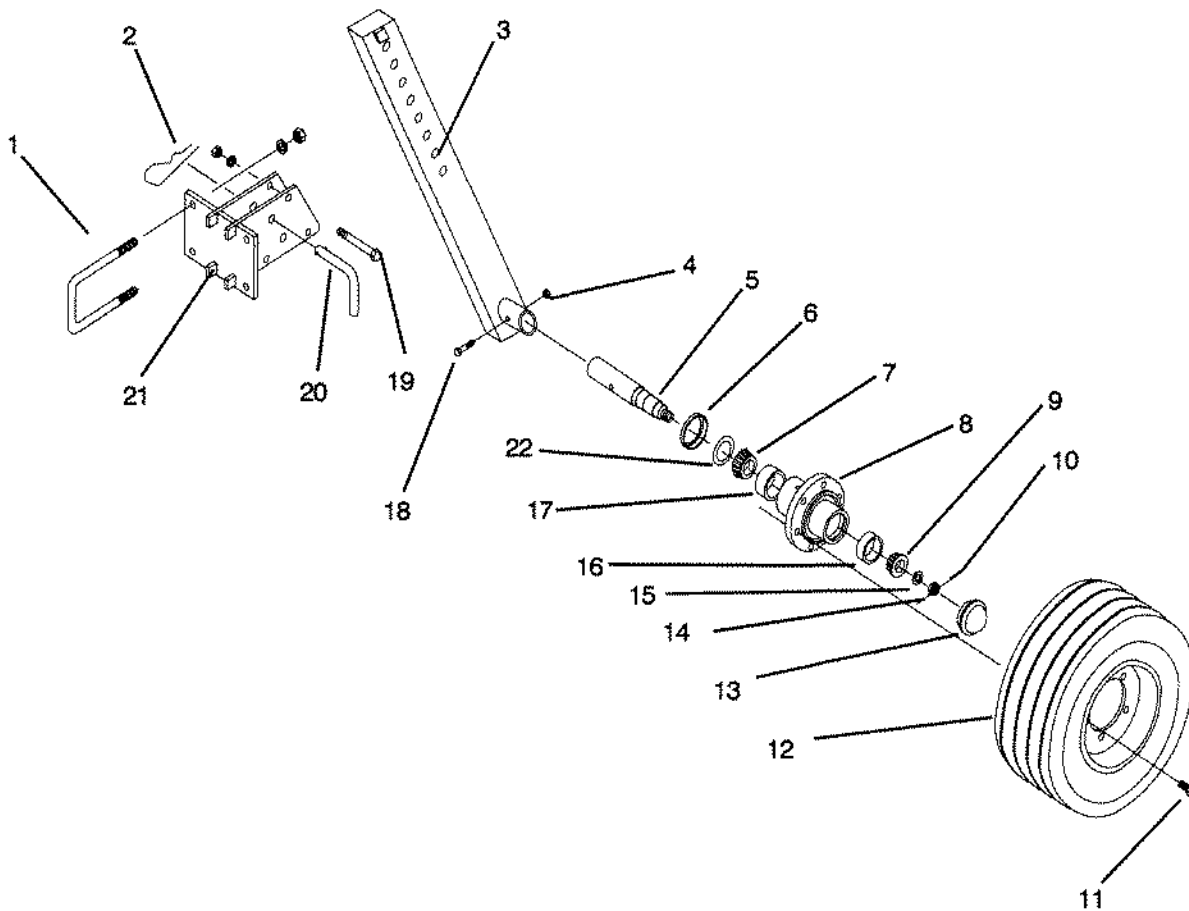
Item	Part No.	Description
1	234234	357 MAINFRAME 4 THRU 7 SHANK (SHOWN)
	233583	357 MAINFRAME 8 SHANK 30"
2	88291	3/4NCx3 BOLT
3	235942	OUTTER CROSS TUBE PLATE
4	88130	3/4 LOCK WASHER
5	88110	3/4NC NUT
6	235917	4 SHANK FRAME CROSS TUBE
	235918	8 SHANK FRAME CROSS TUBE
7	88579	3/4NCx5-1/2 BOLT
8	235941	INNER CROSS TUBE PLATE

GAUGE WHEEL

BOLT ON SPINDLE

6 - BOLT HUB

YEAR 1997 AND UP



Item	Part No.	Description
1	89093	5/8NCx6x5-1/2 U-Bolt
2	23039	Hair Pin Cotter 2.69
3	66146	Gauge Wheel Leg
4	88660	7/16NC Lock Nut
5	41232	1-3/4 Spindle(LS7593F-04)
6	25585	Triple Lip Seal
7	11378	1.50 Bore Bearing Cone (LM29749)
8	30405	6Bolt Hub w/Cups (Includes items 16, 17)
9	10345	1.25 Bore Bearing Cone (LM67048)
10	88301	3/16x1-1/2 Cotter Pin
11	88142	1/2NFx1 Wheel Bolt
12	66145	20.5x10x8 10 Ply Wheel Assy
13	11381	Dust Cap
14	88340	7/8NF Slotted Nut
15	16094	Spindle Washer 7/8ID
16	10344	2.32OD Bearing Cup (LM64010)

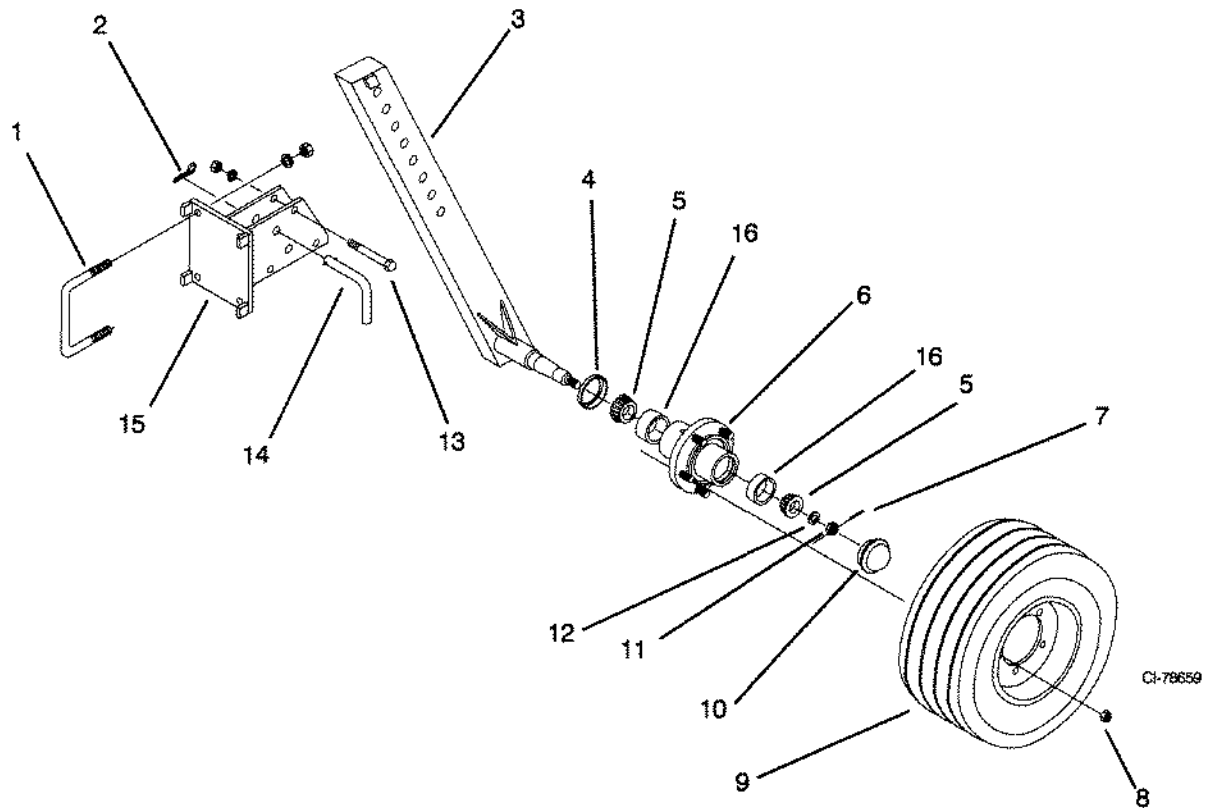
Item	Part No.	Description
17	11379	2.563OD Bearing Cup (LM29710)
18	88674	7/16NCx2-3/4 GR5 Bolt
19	88298	5/8NCx4 GR5 Bolt
20	23096	Lock Pin 3/4x3-19/32
21	61018	Gauge Wheel Mount
22	25586	Wear Sleeve

NOTE: Standard nuts and lock washers are not called out. Anything other than standard will be called out.

STANDARD NUTS AND LOCK WASHERS

88172	1/4NC Nut	88262	1/4 Lock Washer
88103	3/8NC Nut	88362	3/8 Lock Washer
88104	1/2NC Nut	88303	1/2 Lock Washer
88126	5/8NC Nut	88129	5/8 Lock Washer
88110	3/4NC Nut	88130	3/4 Lock Washer
88371	7/8NC Nut	88341	7/8 Lock Washer

GAUGE WHEEL
WELDED ON SPINDLE
5 - BOLT HUB
YEAR 1995-1996



Item	Part No.	Description
1	89093	5/8NCx6x5-1/2 U-Bolt
2	23039	Hair Pin Cotter 2.69
3	61028	Gauge Wheel Arm
4	23108	Grease Seal (CR12124)
5	23109	Bearing Cone (L44643)
6	61029	5 - Bolt Hub w/Cups (Includes items 16)
7	88301	3/16x1-1/2 Cotter Pin
8	88142	1/2NFX1 Wheel Bolt
9	66145	20.5x10x8 10 Ply Wheel Assy
10	11381	Dust Cap
11	88340	7/8NF Slotted Nut
12	16094	Spindle Washer 7/8ID

Item	Part No.	Description
13	88298	5/8NCx4 GR5 Bolt
14	23096	Lock Pin 3/4x3-19/32
15	61018	Gauge Wheel Mount
16	23114	CUP (L44610)

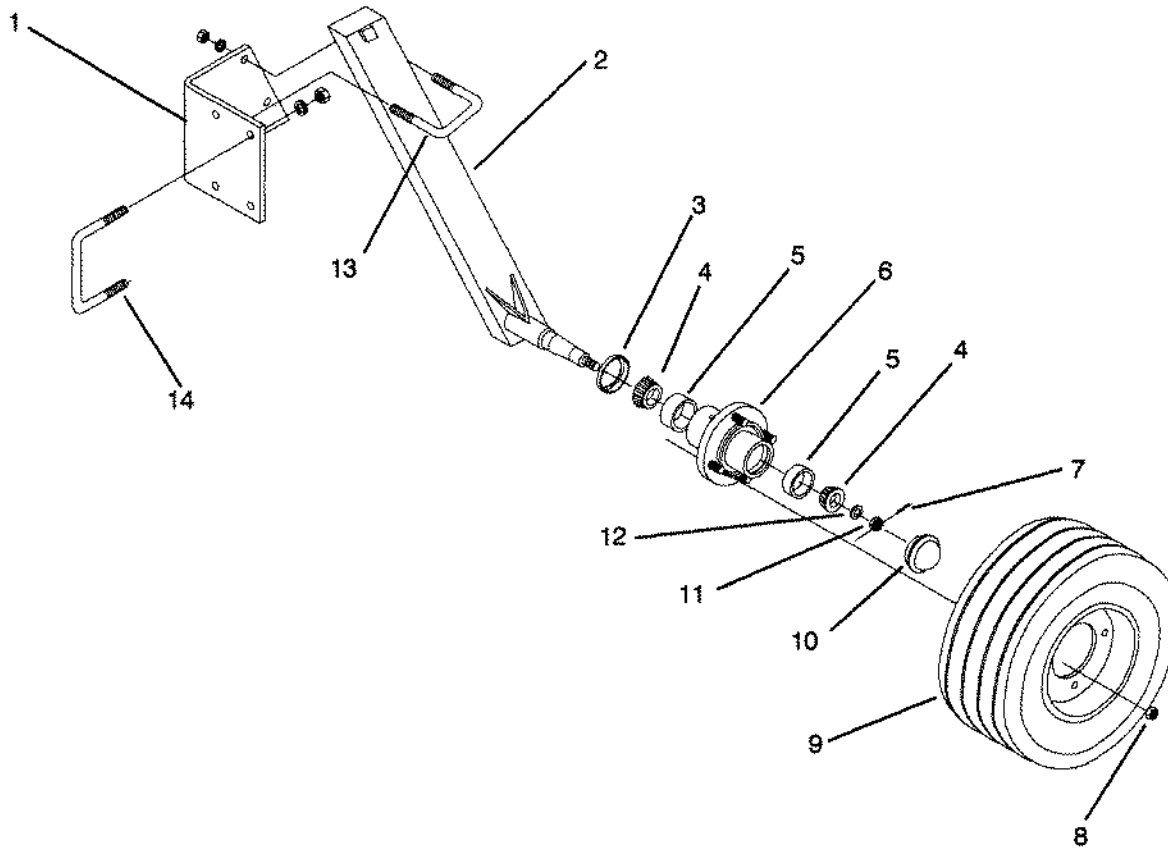
NOTE: Standard nuts and lock washers are not called out. Anything other than standard will be called out.

STANDARD NUTS AND LOCK WASHERS

88172	1/4NC Nut	88262	1/4 Lock Washer
88103	3/8NC Nut	88362	3/8 Lock Washer
88104	1/2NC Nut	88303	1/2 Lock Washer
88126	5/8NC Nut	88129	5/8 Lock Washer
88110	3/4NC Nut	88130	3/4 Lock Washer
88371	7/8NC Nut	88341	7/8 Lock Washer

GAUGE WHEEL

**4 - BOLT HUB
YEAR 1994**



Item	Part No.	Description
1	59010	Right Gauge Wheel Mount
	59011	Left Gauge Wheel Mount
2	59356	Gauge Wheel Arm
3	23108	Seal (CR12124)
4	23109	Cone Bearing (L44643)
5	23114	Cup (L44610)
6	23115	4 - Bolt Hub Assembly (Red)
7	88560	1/8x1-1/4 Cotter Pin
8	23113	Wheel Bolt Nut
9	23111	18x950-8 Wheel Assembly
10	23112	Dust Cap
11	88300	3/4NF Slotted Nut
12	88548	3/4 SAE Flat Washer
13	23107	5/8NCx4x3-1/2 U-Bolt
14	89093	5/8NCx6x5-1/2 U-Bolt

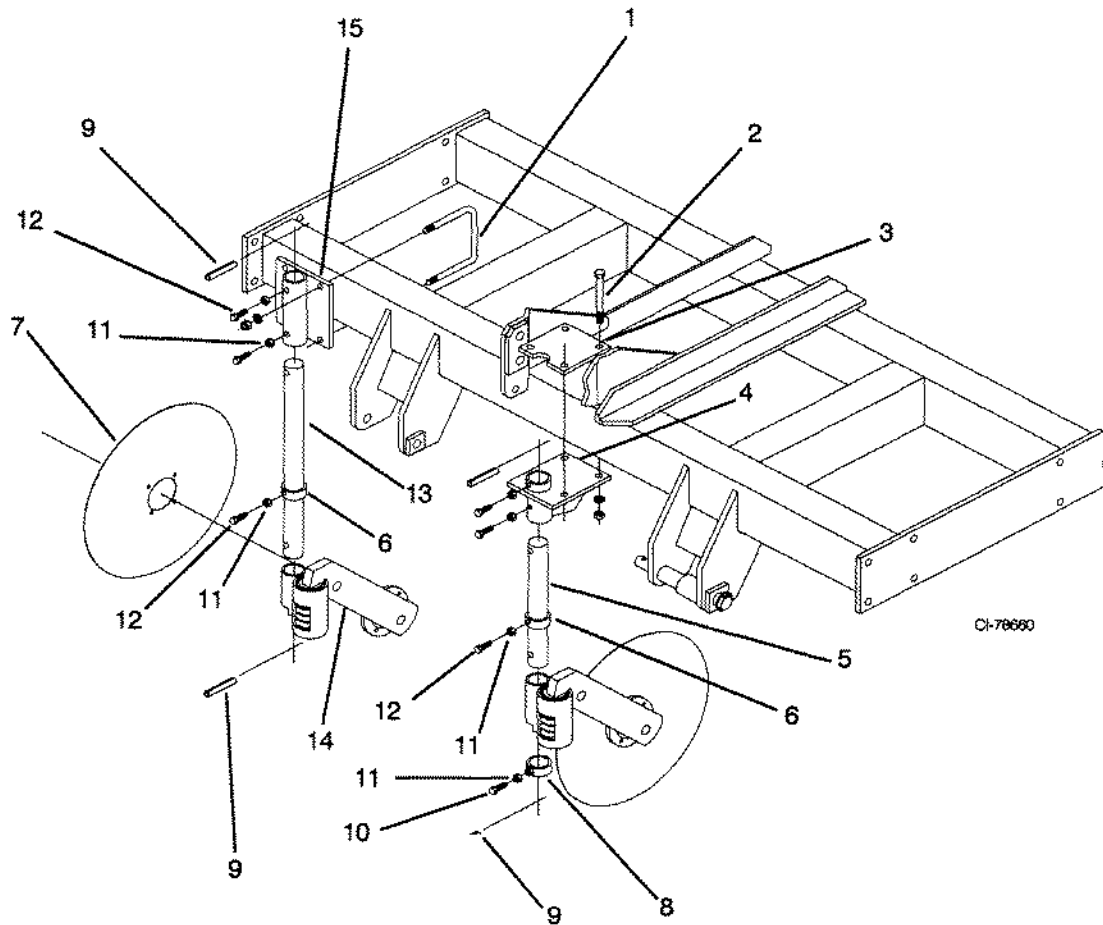
NOTE: Standard nuts and lock washers are not called out. Anything other than standard will be called out.

STANDARD NUTS AND LOCK WASHERS

88172	1/4NC Nut	88262	1/4 Lock Washer
88103	3/8NC Nut	88362	3/8 Lock Washer
88104	1/2NC Nut	88303	1/2 Lock Washer
88126	5/8NC Nut	88129	5/8 Lock Washer
88110	3/4NC Nut	88130	3/4 Lock Washer
88371	7/8NC Nut	88341	7/8 Lock Washer

COULTER CUTTERS

SERIAL NUMBERS 447800 THRU 454654



Item	Part No.	Description
1	89093	5/8NCx6x5-1/2 U-Bolt
2	88476	5/8NCx8 GR5 Bolt
3	59040	Plate
4	58973	Center Coulters Mounting Bracket
5	58979	1-3/4 Dia x 17.25 Shaft
6	59101	Collar (Black)
7	14957	20" Coulters Cutter Plain Blade
	14400	20" Coulters Cutter Rippled Blade
8	59109	Collar w/Nut
9	89059	1/2x2-1/2 Roll Pin
10	88554	1/2NCx1-1/4 GR5 Bolt
11	88104	1/2NC Nut

Item	Part No.	Description
12	89015	1/2NCx1 GR5 Bolt
13	58977	1-3/4 Dia x 24 Shaft
14	42388	Flex Coulters
15	58972	Coulters Mounting Bracket

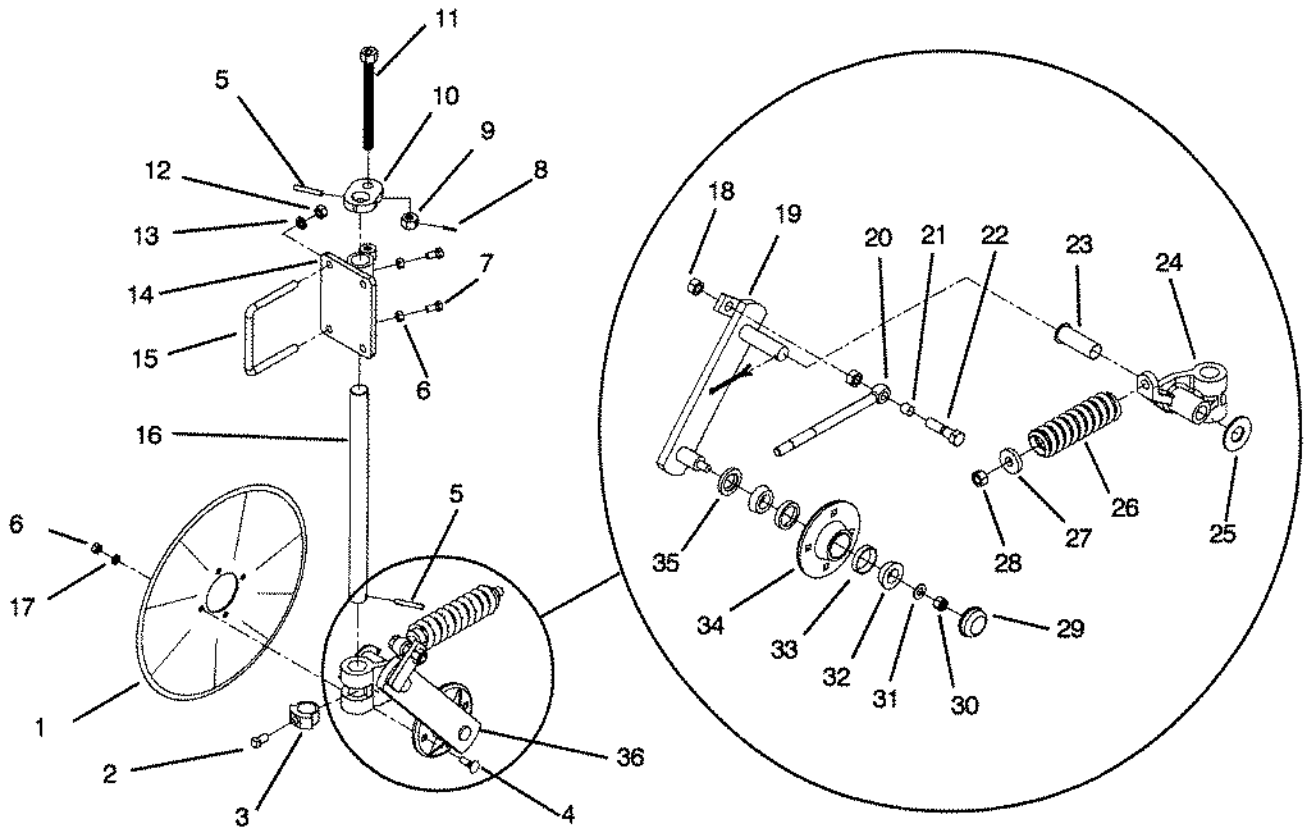
NOTE: Standard nuts and lock washers are not called out. Anything other than standard will be called out.

STANDARD NUTS AND LOCK WASHERS

88172	1/4NC Nut	88262	1/4 Lock Washer
88103	3/8NC Nut	88362	3/8 Lock Washer
88104	1/2NC Nut	88303	1/2 Lock Washer
88126	5/8NC Nut	88129	5/8 Lock Washer
88110	3/4NC Nut	88130	3/4 Lock Washer
88371	7/8NC Nut	88341	7/8 Lock Washer

COULTER CUTTER

SERIAL NUMBERS 454655 AND ABOVE

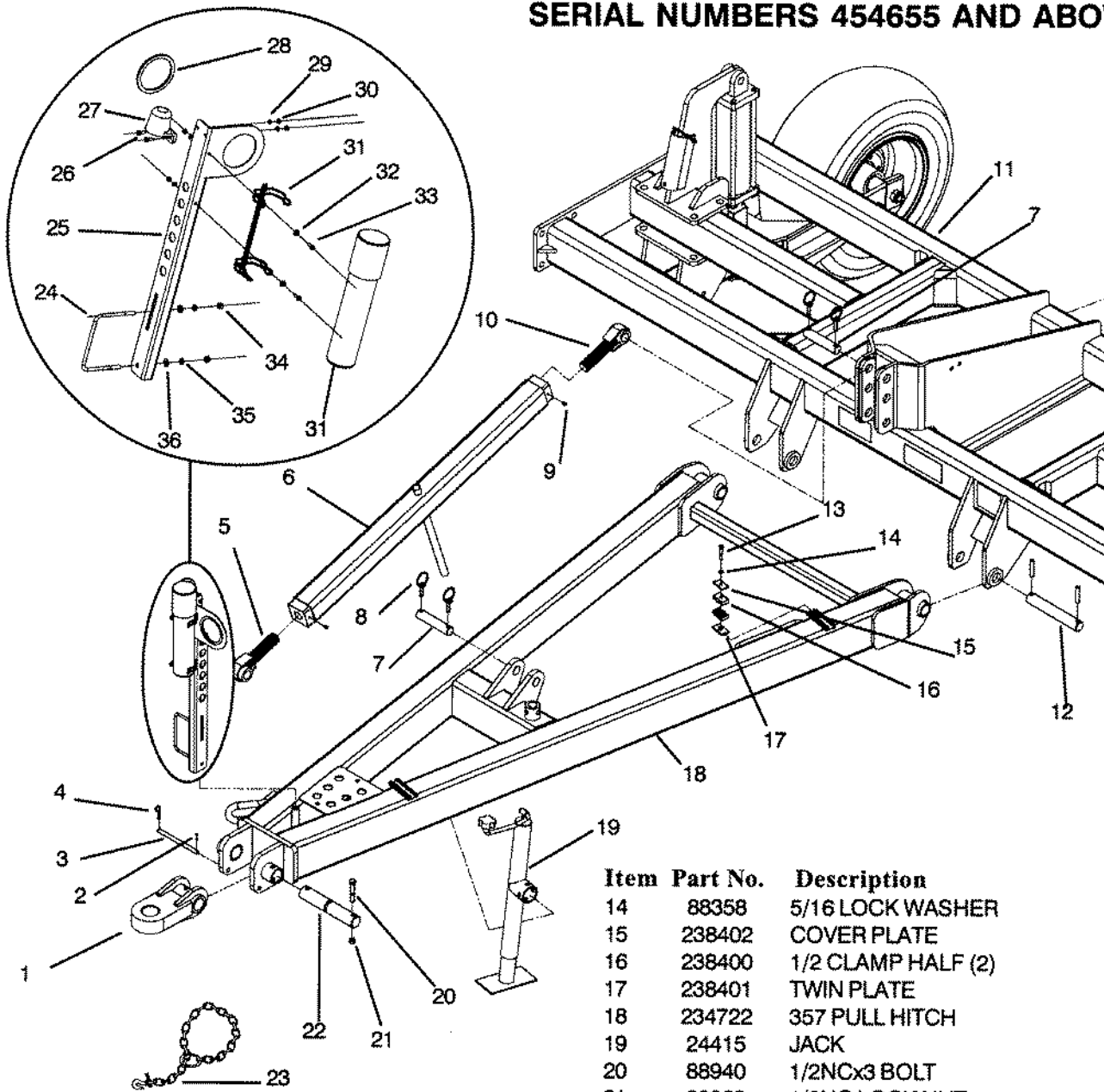


Item	Part No.	Description
1	234261	20" RIPPLE BLADE
2	89382	5/8NCx1 SET SCREW
3	234262	CLYMER LOCKING COLLAR
4	88873	1/2NCx1-1/2 CARRIAGE BOLT
5	88770	3/8x2-1/2 ROLL PIN
6	88104	1/2NC LOCK NUT
7	88446	1/2NCx1 SQ HEAD SET SCREW
8	88856	3/16x1-1/8 ROLL PIN
9	234249	3/4-6 ACME NUT W/ HOLE
10	234251	BRIDGE PLATE
11	234248	3/4-6x9 ACME ADJUSTMENT BOLT
12	88126	5/8NC NUT
13	88129	5/8 LOCK WASHER
14	234246	MOUNTING BRACKET
15	89093	5/8NCx6x5-1/2 U-BOLT
16	234250	1-1/2 DIA SHAFT
17	88303	1/2 LOCK WASHER
18	88123	3/4NF NUT
19	234257	SWING ARM
20	234265	SPRING ROD
21	234263	NYLON BUSHING
22	88119	3/4NFx3 BOLT
23	234258	FLANGED BUSHING
24	234259	SPRING BUSHING CASTING
25	88602	1-1/4 FLAT WASHER

Item	Part No.	Description
26	234260	COULTER SPRING
27	236553	SPRING BUSHING
28	88356	3/4NC LOCK NUT
29	234256	DUST CAP
30	88558	5/8NF SLOTTED NUT
31	19949	3/4 SPINDLE WASHER
32	10345	1-1/4 ID BEARING CONE
33	10344	2.328 BEARING CUP
34	234255	4-BOLT HUB
35	234252	GREASE SEAL
36	234264	COLTER CUTTER ASSY

PULL HITCH

SERIAL NUMBERS 454655 AND ABOVE

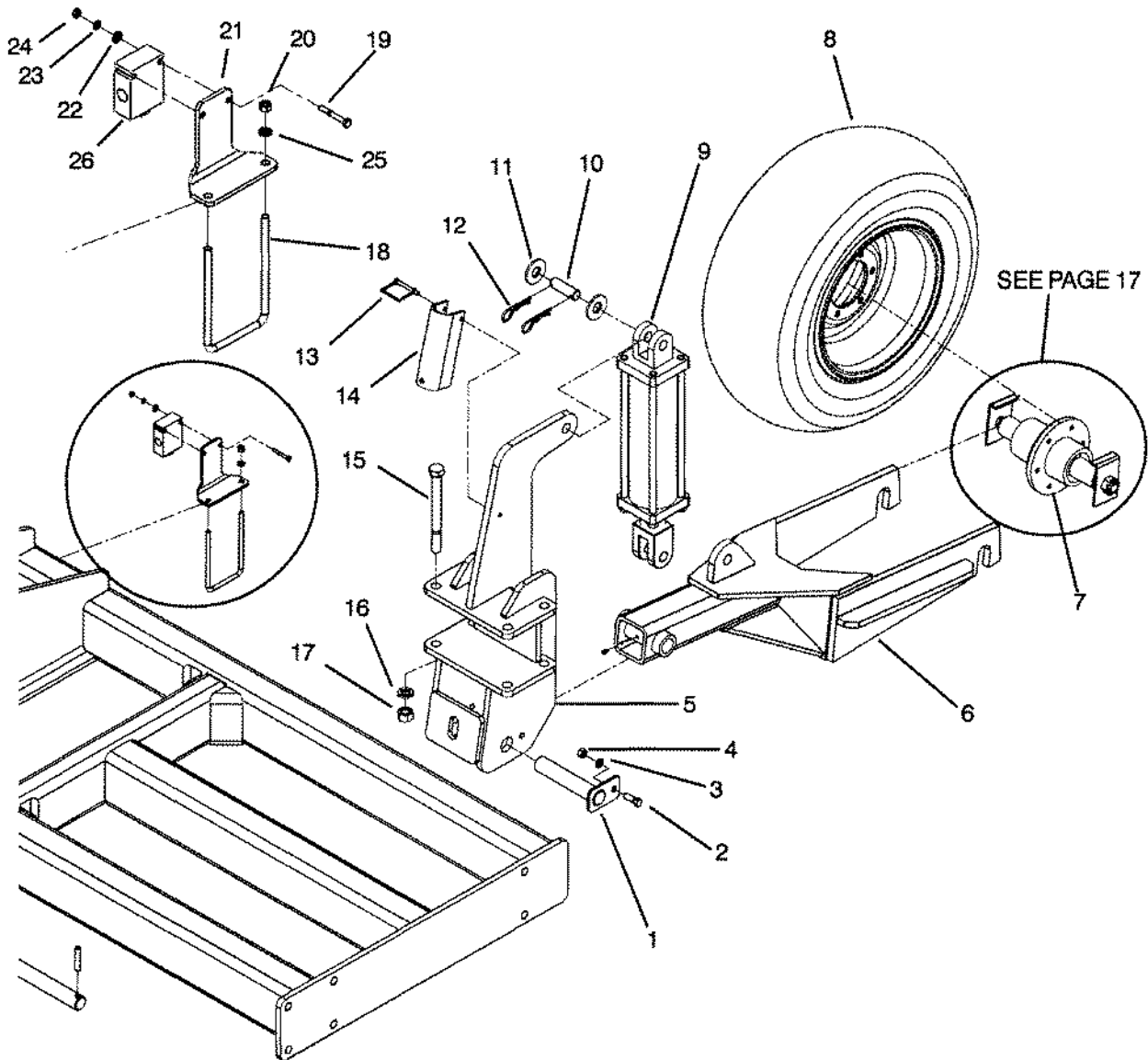


Item	Part No.	Description
1	69917	TONGUE
2	89018	1/8x1 ROLL PIN
3	234757	TONGUE REST PIN
4	88435	.14x2.56 HAIR PIN
5	234731	LOWER ROD END - RH THREADS
6	234727	ADJUSTMENT ARM
7	234390	UPPER 3PT PIN
8	32990	7/16x1-1/2 CLICK PIN
9	88550	1/4 GREASE FITTING
10	234734	UPPER ROD END - LH THREADS
11	234234	357 MAIN FRAME 4 THRU 7 SHANK
	233583	357 MAIN FRAME 8 SHANK 30"
12	234102	LOWER 3PT PIN
13	88544	5/16NCx2 BOLT

Item	Part No.	Description
14	88358	5/16 LOCK WASHER
15	238402	COVER PLATE
16	238400	1/2 CLAMP HALF (2)
17	238401	TWIN PLATE
18	234722	357 PULL HITCH
19	24415	JACK
20	88940	1/2NCx3 BOLT
21	88363	1/2NC LOCK NUT
22	69948	1-3/4x9 HEADLESS PIN
23	24459	20K SAFETY CHAIN
24	89406	3/8NCx6x4-3/4 U-BOLT
25	236142	HYDRAULIC HOSE BRACKET
26	88203	1/4NCx1 BOLT
27	223329	LIGHT PLUG HOLDER
28	236092	RUBBER EDGING
29	88262	1/4 LOCK WASHER
30	88172	1/4NC NUT
31	234313	OPERATORS MANUAL TUBE&BRKT
32	88261	1/4 FLAT WASHER
33	88993	1/4NCx3/4 BOLT
34	88103	3/8NC NUT
35	88362	3/8 LOCK WASHER
36	88282	3/8 FLAT WASHER

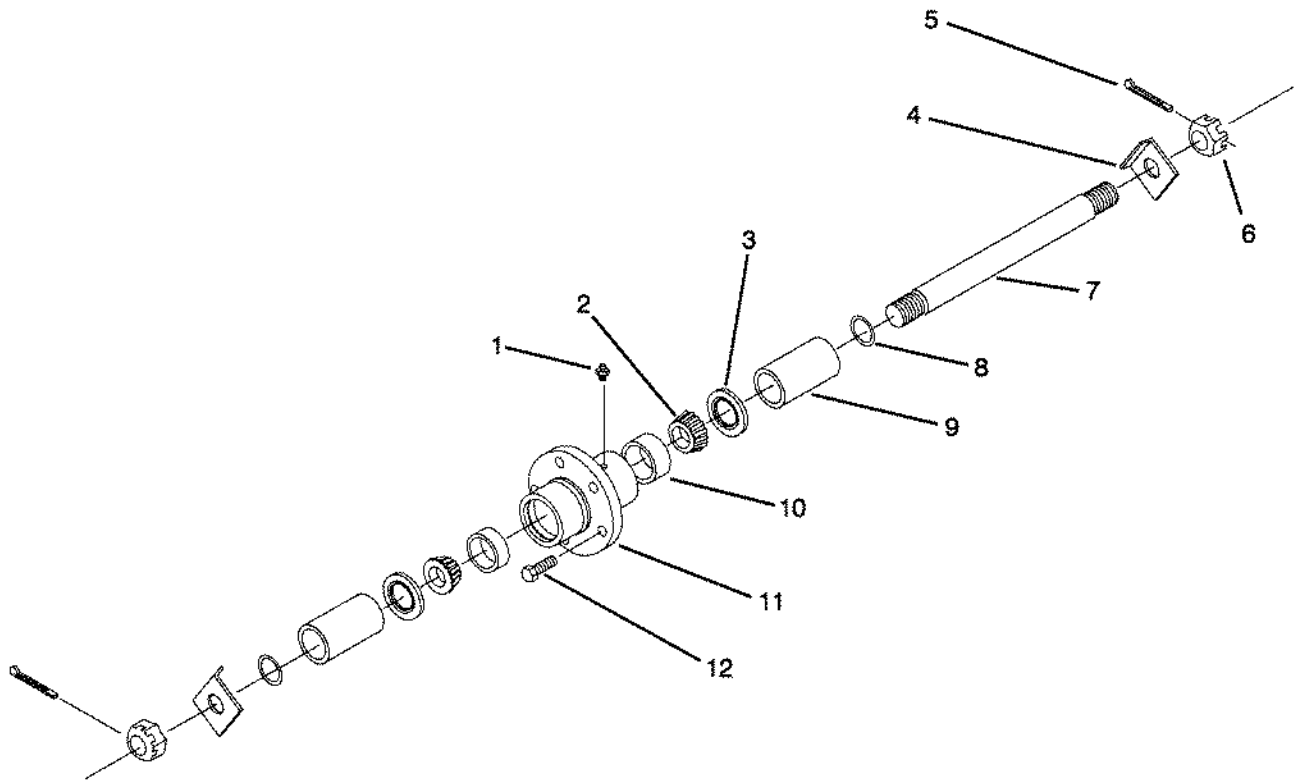
LIFT STATION

SERIAL NUMBERS 454655 AND ABOVE



Item	Part No.	Description	Item	Part No.	Description
1	234756	PIN 1-1/2x8	17	88371	7/8NC NUT
2	88475	1/2NCx1-1/2 BOLT	18	89040	3/8NCx4x7 U-BOLT
3	88303	1/2 LOCK WASHER	19	88492	1/4NCx2 GR8 BOLT
4	88104	1/2NC NUT	20	88103	3/8NC NUT
5	234750	REAR STRUT LIFT STATION	21	234762	FLOW DIVIDER MNTING PLT
6	234742	REAR STRUT - LH (SHOWN)	22	88261	1/4 FLAT WASHER
	234743	REAR STRUT - RH	23	88262	1/4 LOCK WASHER
7	234758	YOKE HUB ASSY (16" SPINDLE)	24	88172	1/4NC NUT
8	49398	WHEEL ASSY, 11Lx15 6B 8" 12PLY	25	88362	3/8 LOCK WASHER
9	234764	4x12 HYD CYLINDER	26	234761	FLOW DIVIDER
	222038	4" SEAL KIT			
10	42472	HEADLESS PIN 1x2-3/8			
11	88196	1" FLAT WASHER			
12	88137	3/16x3-3/4 SPRING PIN			
13	915402	5/16x2-3/4 LYNCH PIN			
14	42253	2" CYLINDER CHANNEL LOCK			
15	88847	7/8NCx9 BOLT			
16	88341	7/8 LOCK WASHER			

YOKE HUB ASSEMBLY FOR LIFTSTATION (PAGE 16)

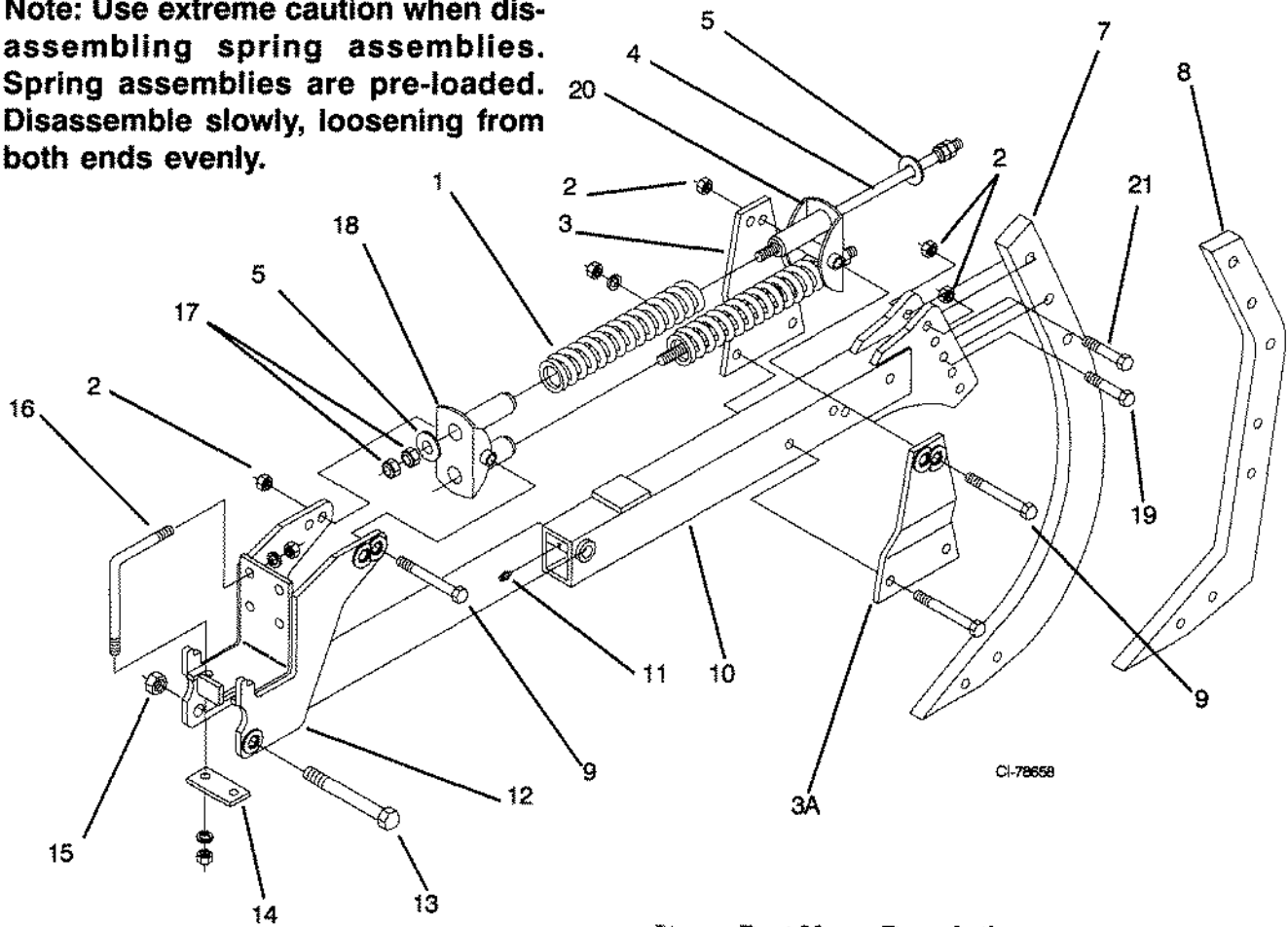


Item	Part No.	Description
1	88263	1/8NPT GREASE FITTING
2	54731	BEARING CONE
3	208981	2" INTERNAL TRIPLE LIP SEAL
4	55150	SPINDLE LOCK
5	88133	3/16x2 COTTER PIN
6	88299	1NF SLOTTED NUT
7	58204	1-1/2x22 SPINDLE
8	12456	SHAFT SEAL
9	62400	2ODx6 SEALED SPINDLE TUBE
10	16082	BEARING CUP
11	54729	HUB W/ CUPS (INCLUDES ITEM 10)
12	63831	9/16NFx1-1/8 WHEEL BOLT

1500# & 2000# SPRING RESET SHANK ASSEMBLY

SERIAL NUMBER 454619 AND BELOW

Note: Use extreme caution when disassembling spring assemblies. Spring assemblies are pre-loaded. Disassemble slowly, loosening from both ends evenly.



Item	Part No.	Description
	59331	Spring Package - 1500# (Includes Items 1, 4, 5, 17, 18 & 20)
	59332	HD Spring Package - 2000# (Includes Items 1, 4, 5, 17, 18 & 20)
1	23378	Compression Spring - 1500#
	59323	Spring (Black)(HD) - 2000#
2	88356	3/4NC Locknut
3	59093	Right Spring Plate
3A	59260	Left Locking Spring Plate
4	58970	3/4NCx19-1/2 Threaded Rod - 1500#
	59314	3/4NCx24 Threaded Rod (HD) - 2000#
5	88131	3/4 ID Flat Washer
7	58971	Parabolic Shank
8	64615	Straight Knife
9	88335	3/4NCx7 GR5 Bolt
10	61800	357 Ripper Shank Arm

Item	Part No.	Description
11	88550	Grease Fitting
12	62414	Shank Arm Mounting Bracket
13	14987	1NCx7 GR5 Bolt
14	58968	Flat
15	88169	1NC Locknut
16	59014	3/4NCx6x8 L-Bolt
17	88110	3/4NC Nut
18	59094	1500# Spring Pivot (5")
	59316	2000# HD Spring Pivot (Black)(9-1/2")
19	88111	3/4NCx3-1/2 GR5 Bolt
20	59094	1500# Spring Pivot (5")
	59316	2000# HD Spring Pivot (Black)(9-1/2")
21	64409	3/4NCx3-1/2 GR8 Bolt

NOTE: Standard nuts and lock washers are not called out. Anything other than standard will be called out.

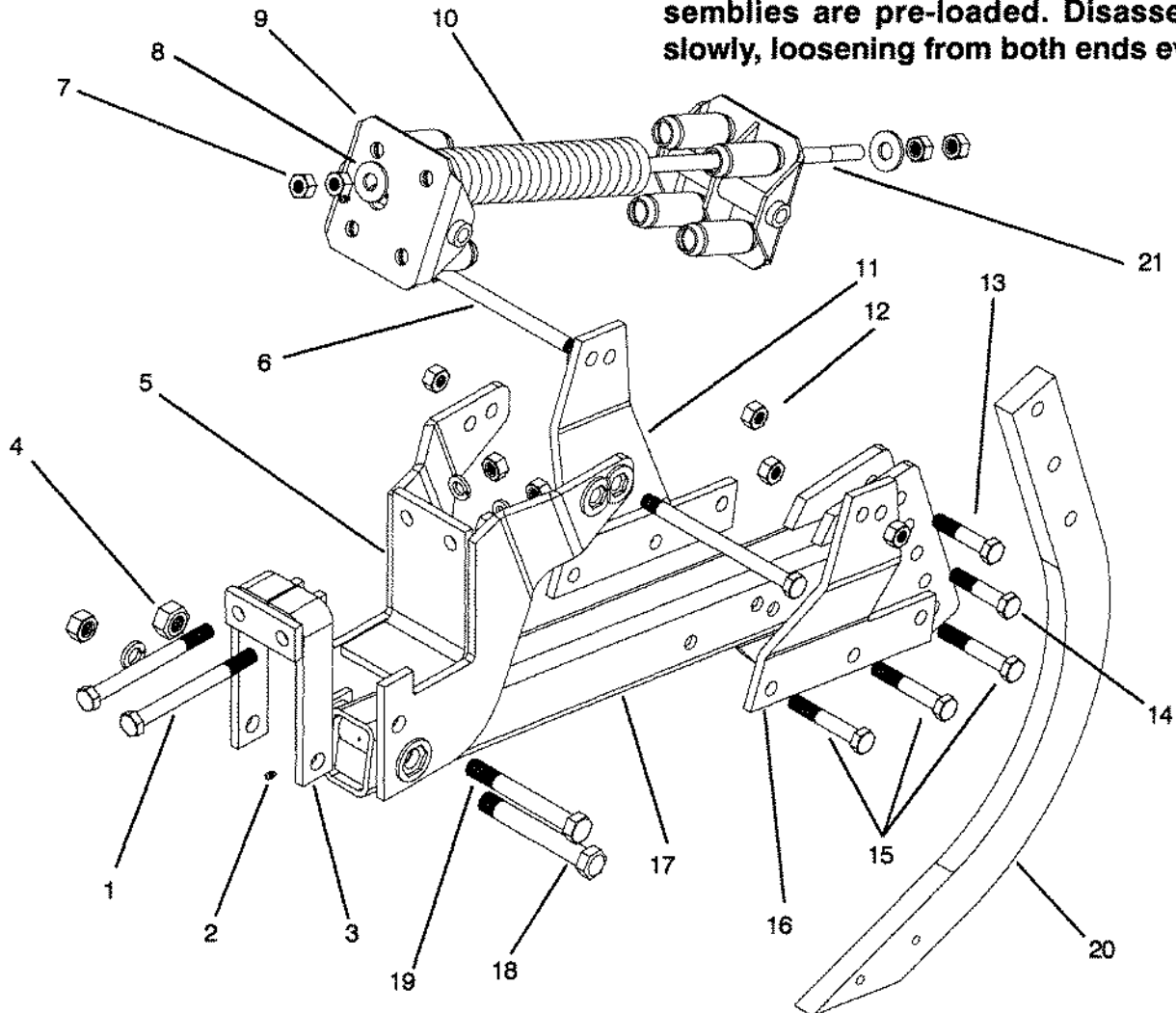
STANDARD NUTS AND LOCK WASHERS

88172	1/4NC Nut	88262	1/4 Lock Washer
88103	3/8NC Nut	88362	3/8 Lock Washer
88104	1/2NC Nut	88303	1/2 Lock Washer
88126	5/8NC Nut	88129	5/8 Lock Washer
88110	3/4NC Nut	88130	3/4 Lock Washer
88371	7/8NC Nut	88341	7/8 Lock Washer

3000# SHANK ASSEMBLY

SERIAL NUMBERS 454619 AND BELOW

Note: Use extreme caution when disassembling spring assemblies. Spring assemblies are pre-loaded. Disassemble slowly, loosening from both ends evenly.



Item	Part No.	Description
	61304	3000# Spring Package (Includes Items 7, 8, 9, 10, 21)
1	88403	3/4NCx8 GR5 Bolt
2	88550	Grease Fitting
3	61285	Locking Bracket
4	86169	1NF Lock Nut
5	234288	Shank Arm Mounting Bracket
6	61281	3/4NCx10 GR8 Cap Screw
7	88110	3/4NC Nut
8	88131	3/4 Flat Washer
9	61289	Spring Pivot
10	23378	Compression Spring Grey
11	62322	HD Right Spring Plate
12	88356	3/4NC Lock Nut
13	64410	3/4NCx3-1/2 GR5 Sheer Bolt
14	64409	3/4NCx3-1/2 GR8 Pivot Bolt

Item	Part No.	Description
15	88305	3/4NCx5 GR5 Bolt
16	62321	HD Left Spring Plate
17	61801	357 Ripper Shank Arm
18	14987	Pivot Bolt
19	88346	1/2NC Heavy Nut
20	58971	Parabolic Shank
21	58970	3/4NCx19-1/2 Threaded Rod

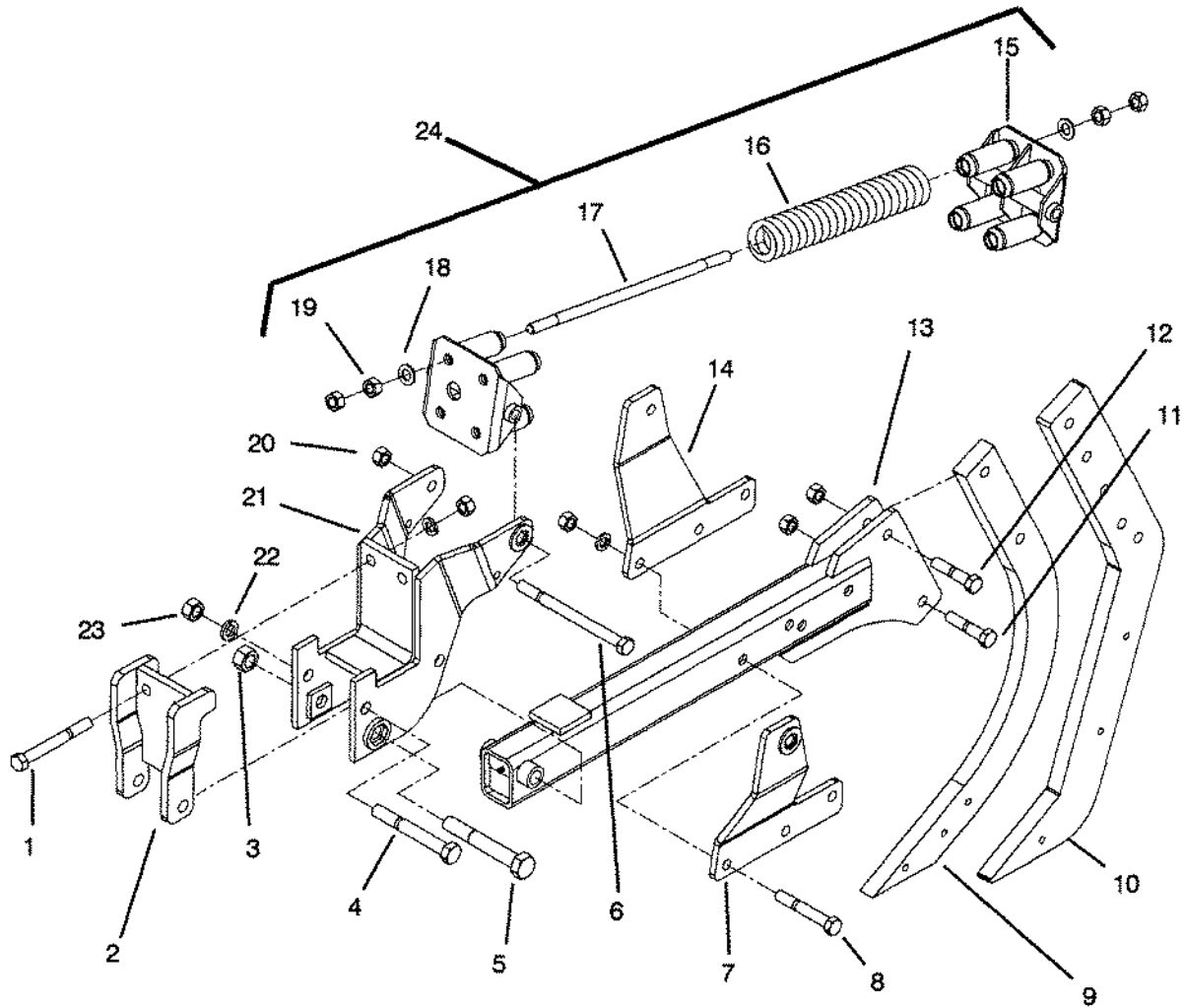
NOTE: Standard nuts and lock washers are not called out. Anything other than standard will be called out.

STANDARD NUTS AND LOCK WASHERS

88172	1/4NC Nut	88262	1/4 Lock Washer
88103	3/8NC Nut	88362	3/8 Lock Washer
88104	1/2NC Nut	88303	1/2 Lock Washer
88126	5/8NC Nut	88129	5/8 Lock Washer
88110	3/4NC Nut	88130	3/4 Lock Washer
88371	7/8NC Nut	88341	7/8 Lock Washer

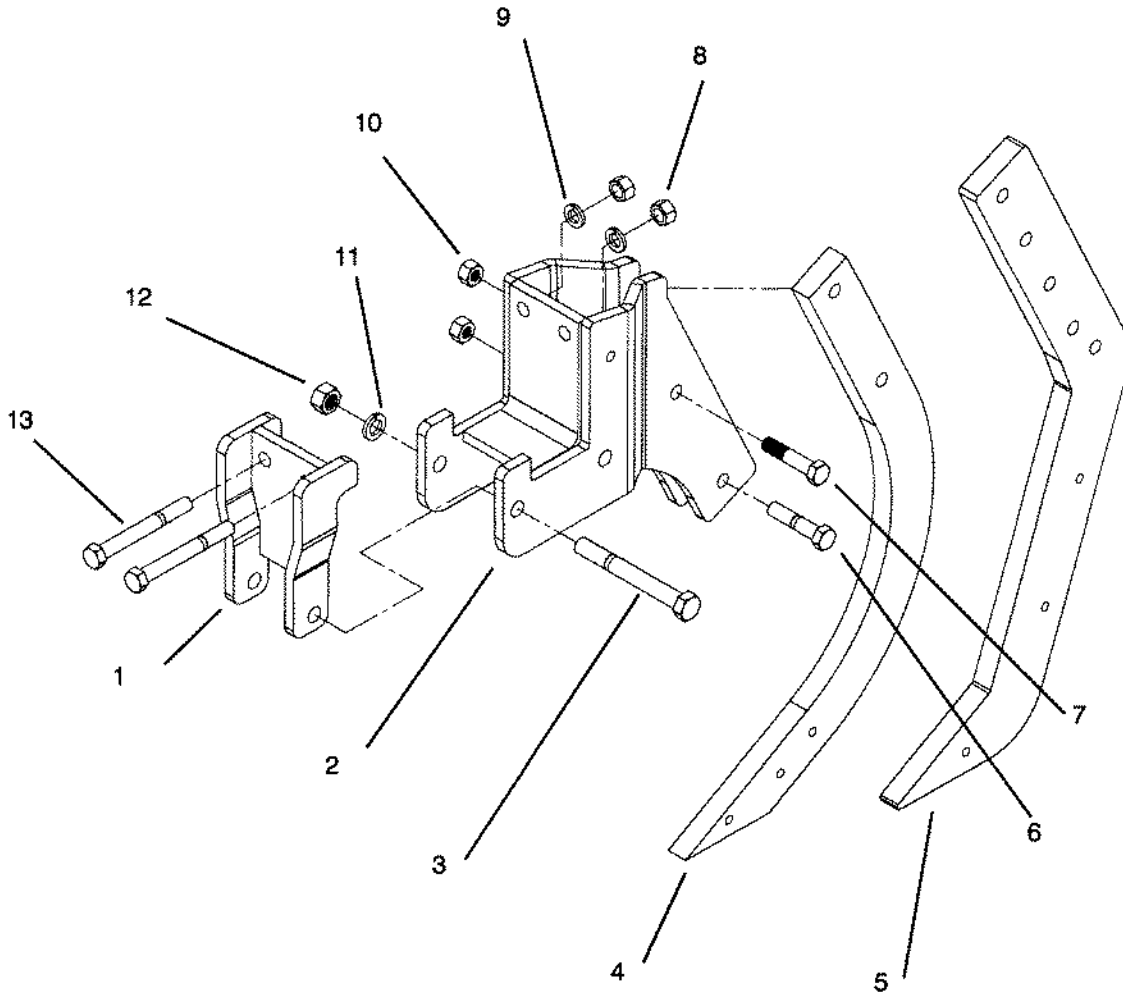
3000# SPRING RESET SHANK ARM ASSEMBLY

SERIAL NUMBERS 454620 TO CURRENT



Item	Part No.	Description	Item	Part No.	Description
1	89130	3/4NCx6-1/2 BOLT	17	58970	3/4NCx19-1/2 THREADED ROD
2	234397	LOCKING BRACKET	18	88131	3/4 FLAT WASHER
3	86169	1"NF LOCK NUT	19	88110	3/4NC NUT
4	88436	7/8NCx7 GR8 BOLT	20	88356	3/4NC LOCK NUT
5	14987	PIVOT BOLT	21	234288	SHANK ARM MOUNTING BRACKET
6	61281	3/4NCx10 GR8 CAP SCREW	22	88341	7/8 LOCK WASHER
7	234290	LH SPRING PLATE	23	88371	7/8NC NUT
8	88305	3/4NCx5 BOLT	24	61304	SPRING PACK ASSEMBLY (INCLUDES, 15,16,17,18,& 19)
9	58971	PARABOLIC SHANK			
10	233739	MINAMAL DISTURBANCE SHANK			
11	89401	3/4NCx3-1/2 TAP BOLT			
12	64409	3/4NCx3-1/2 GR8 BOLT (GOLD)			
13	61800	357 RIPPER SHANK ARM			
14	234291	RH SPRING PLATE			
15	61288	PIVOT SPRING			
16	23377	COMPRESSION SPRING			

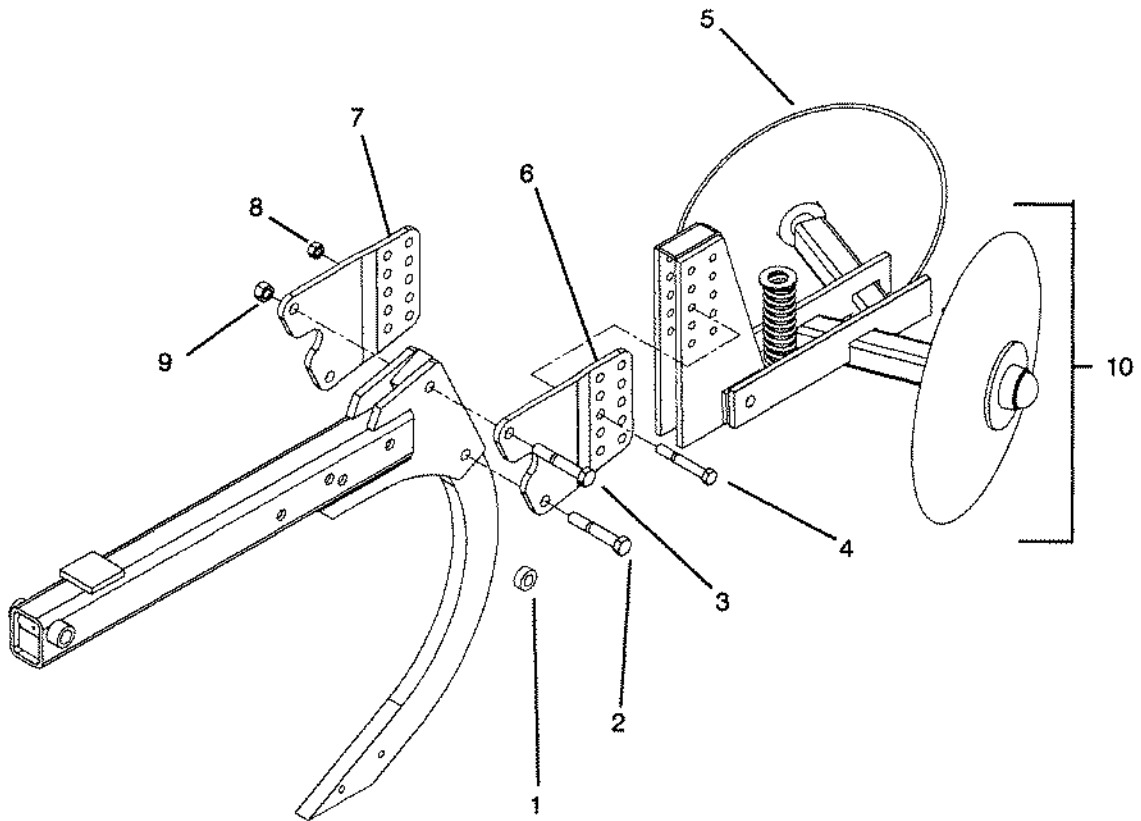
SOLID MOUNT SHANK ASSY



Item	Part No.	Description
1	234397	LOCKING BRACKET
2	235908	SOLID MOUNT BRACKET
3	89169	7/8NCx7-1/2 BOLT
4	58971	PARABOLIC SHANK
5	233739	MINIMAL DISTURBANCE SHANK
6	89401	3/4NCx3-1/2 TAP BOLT
7	64409	3/4NCx3-1/2 GR8 BOLT (GOLD)
8	88110	3/4NC NUT
9	88130	3/4 LOCK WASHER
10	88356	3/4NC LOCK NUT
11	88341	7/8 LOCK WASHER
12	88371	7/8NC NUT
13	89130	3/4NCx6-1/2 BOLT

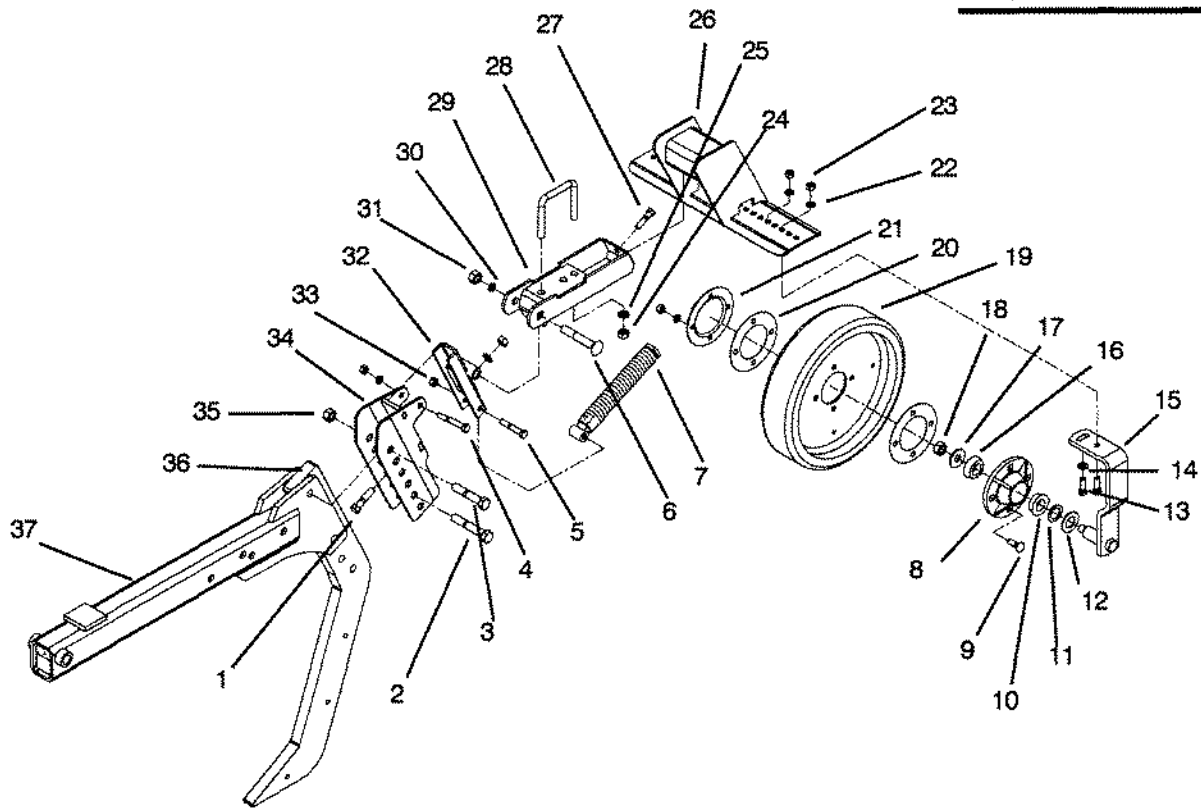
DISK HILLER

(Fits on Parabolic shank only)



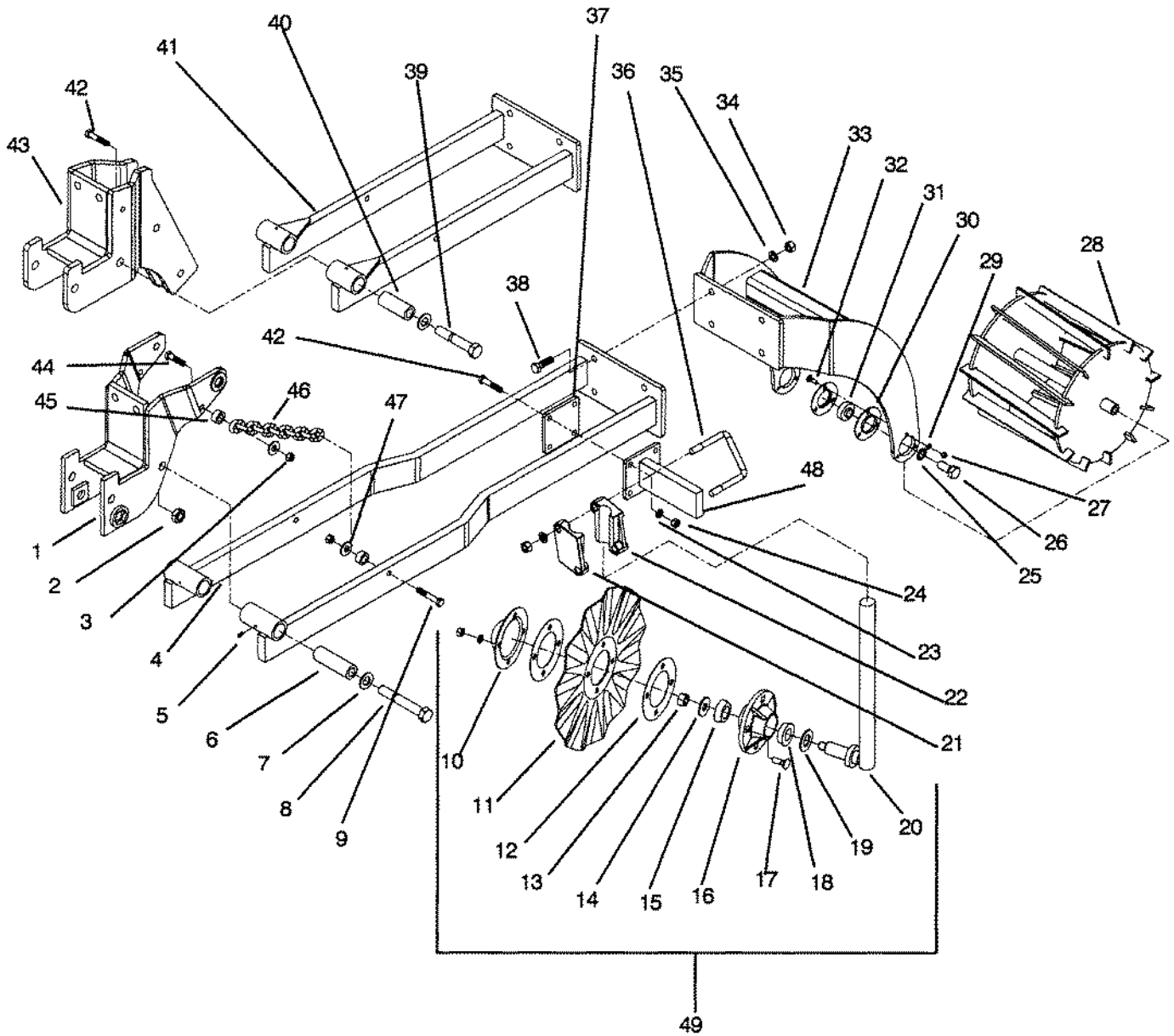
Item	Part No.	Description
1	223230	SPACER (13/16IDx1-1/2ODx5/8)
2	10210	3/4NCx4-1/2 FULL THREAD TAP BOLT GR5
3	88953	3/4NCx4-1/2 GR8 BOLT
4	88381	5/8NCx4-1/2 BOLT
5	223231	DISK HILLER
6	223141	LEFT SIDE PLATE
7	223142	RIGHT SIDE PLATE
8	88369	5/8NC LOCK NUT
9	88356	3/4NC LOCK NUT
10	236786	DISK 19-1/2 DIA
	236787	HUB COMPLETE 4-BOLT
	236789	HUB 4-BOLT
	236788	RACE
	236790	BEARING - INNER
	236791	BEARING - OUTER
	236792	HUB CAP
	236793	CAP RETAINER
	236794	COMPRESSION SPRING

ROW SEALER

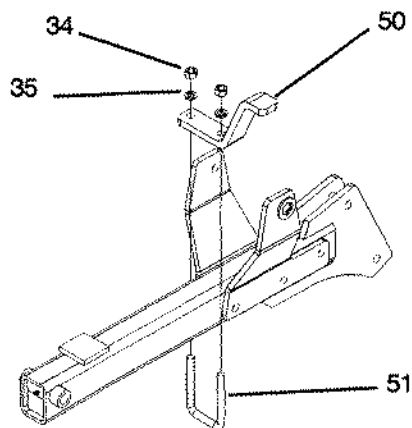


Item	Part No.	Description	Item	Part No.	Description
1	88409	5/8NCx2-1/2 BOLT	25	88129	5/8 LOCK WASHER
2	89401	3/4NCx3-1/2 GR5 TAP BOLT	26	220008	DISK WHEEL MOUNT
3	88275	3/4NCx4 GR8 BOLT	27	23153	1/2NCx2 FULL THREAD CAP SCREW
4	88507	1/2NCx3-1/2 BOLT	28	88501	5/8NCx4x4-1/4 U-BOLT
5	223691	1/2NCx3 BOLT	29	223470	4" SHANK FRAME BRACKET
6	68575	CARRIAGE BOLT	30	41452	CENTERING WASHER
7	60012	SPRING PLUG ASSY	31	22463	3/4NF LOCK NUT
INCLUDES:			32	223469	SHANK HOLDER
	11397	SPRING HANDLE	33	88304	1/2NF LOCK NUT
	11510	SPRING	34	220009	SHANK FRAME BRACKET
	11398	SPRING PLUG	35	88356	3/4NC LOCK NUT
8	19998	COULTER HUB ASSY	36	233739	MINIMAL DISTURBANCE SHANK
9	88873	1/2NCx1-1/2 CARRIAGE BOLT	37	61800	357 RIPPER SHANK ARM
10	19996	1-1/4ID BEARING CONE (LM67000LA)			
11	88440	1-1/4x1-7/8x14GA BUSHING			
12	88439	1-1/4x2-1/4x10GA BUSHING			
13	88475	1/2NCx1-1/2 BOLT			
14	88347	1/2 FLAT WASHER			
15	220023	ARM			
16	10345	1-1/4 BEARING CONE (LM67048)			
17	19949	3/4ID SPINDLE WASHER			
18	88306	3/4NF LOCK NUT			
19	223468	ROW SEALER WHEEL			
20	15471	COULTER GASKET			
21	14367	DUST CAP			
22	88303	1/2 LOCK WASHER			
23	88104	1/2NC NUT			
24	88126	5/8NC NUT			

SLOT TILL GANG ASSEMBLY

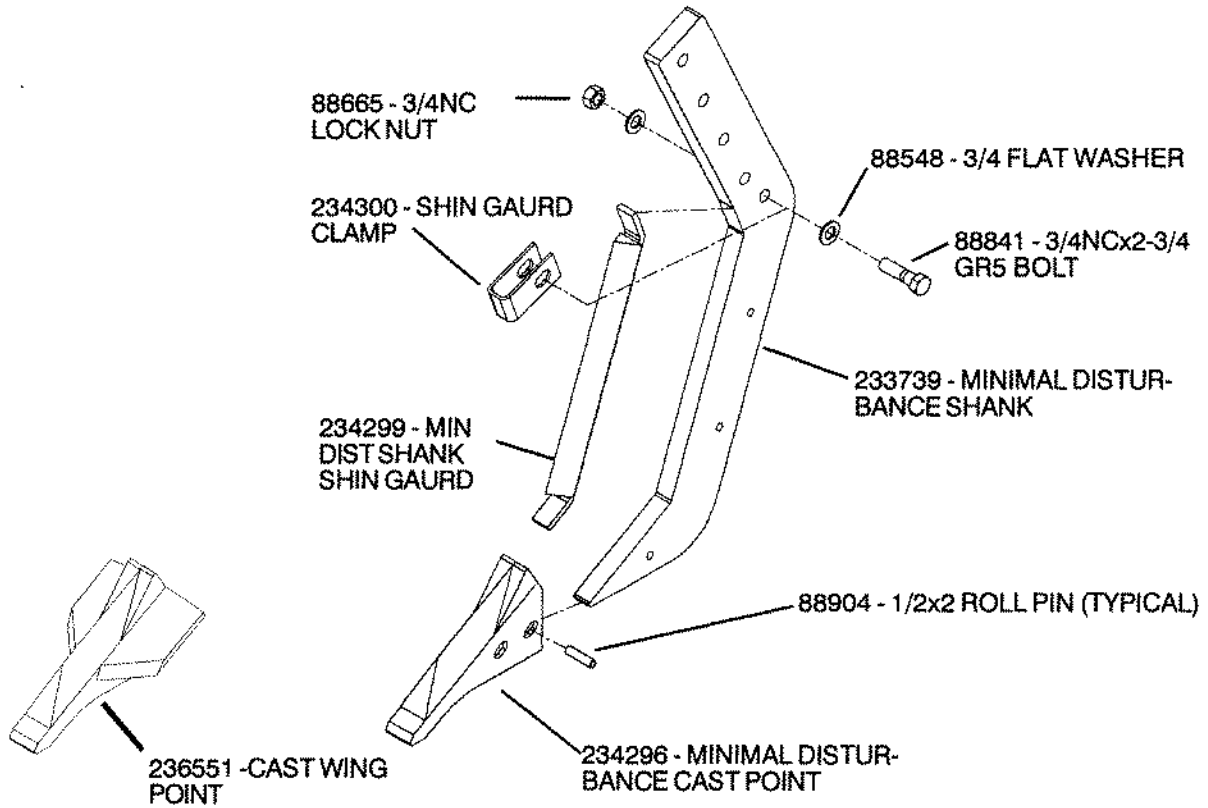


NOTE: BASKET ARM STOP IS BOLTED ON SHANK ASSEMBLY'S THAT ARE BOLTED ON THE THE WINGS ONLY. THIS CONTROLS THE MOTION OF THE BASKET ARMS WHEN UNIT IS BEING FOLDED.

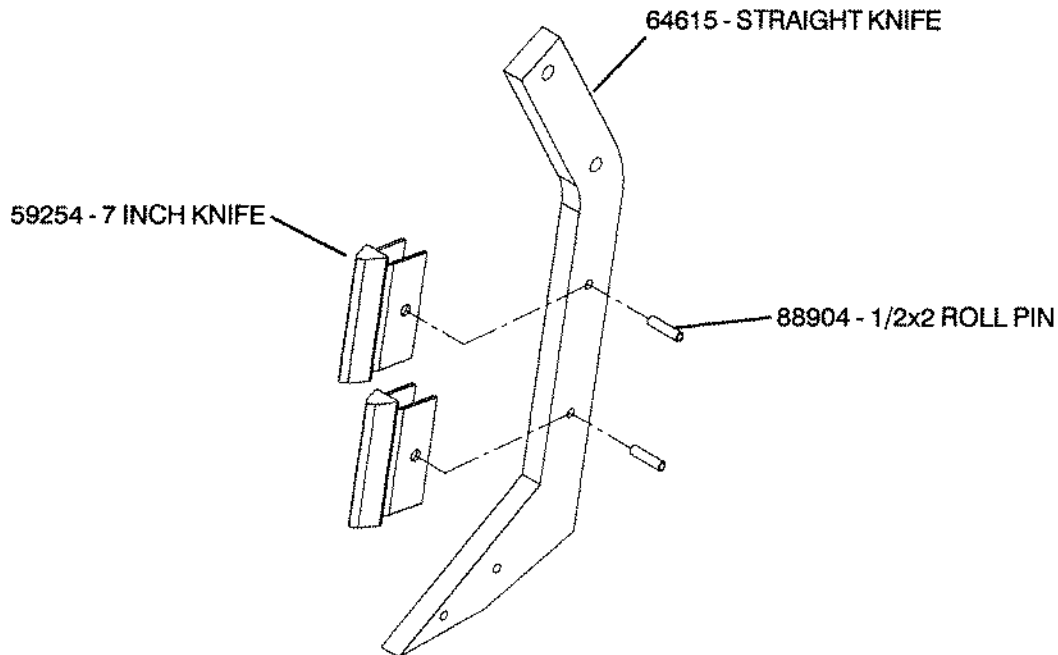


Item	Part No.	Description
1	234288	SHANK ARM MOUNTING BRKT
2	89402	7/8NC JAM LOCK NUT
3	88363	1/2NC LOCK NUT
4	234047	FLOATING ARM
5	88550	1/4 GREASE FITTING
6	234042	DISC GANG BUSHING
7	88132	7/8 FLAT WASHER
8	88860	7/8NCx6 GR8 BOLT
9	88541	1/2NCx3 BOLT
10	14367	DUST CAP
11	234048	3/4" - 12 WAVE BLADE
12	15471	COULTER GASKET
13	88306	3/4NF LOCK NUT
14	19949	3/4 SPINDLE WASHER
15	10345	1-1/4ID BEARING CONE (LM67048)
16	19998	COULTER HUB ASSY
17	88873	1/2NCx1-1/2 CARRIAGE BOLT
18	19996	1-1/4 BEARING CONE (LM67000LA)
19	88439	1-1/4x2-1/4x10GA MACHINERY BUSHING
20	234030	DISK MOUNT
21	15522	OUTER MOUNT PLATE
22	15521	INNER MOUNT PLATE
23	88303	1/2 LOCK WASHER
24	88104	1/2NC NUT
25	88754	3/4 INTERNAL LOCK WASHER
26	88405	3/4NCx1-3/4 BOLT
27	88127	5/16NC NUT
28	234039	CRUMBLER BASKET
29	88358	5/16 LOCK WASHER
30	21129	FLANGETTE
31	21130	BASKET BEARING
32	88519	5/16NCx1 CARRIAGE BOLT
33	234035	BASKET MOUNT
34	88126	5/8NC NUT
35	88129	5/8 LOCK WASHER
36	88453	5/8NCx4x4-1/2 U-BOLT
37	234053	DISC MOUNT PLATE
38	88294	5/8NCx2 BOLT
39	89403	7/8NCx5 BOLT
40	235909	BASKET ARM PIVOT BUSHING
41	235913	SOLID MOUNT FLOATING ARM
42	88410	1/2NCx2-1/2 BOLT
43	235908	SOLID MOUNT SHANK ARM MNTING BRKT
44	88679	1/2NCx2 BOLT
45	237331	WING AXLE LINKAGE BUSHING 1-116ODx9/16ID
46	235903	357 BASKET ARM CHAIN
47	88347	1/2 FLAT WASHER
48	234041	DISC CLAMP BRANCH
49	234050	WAVE COULTER ASSY (INCLUDES ITEMS 10 THRU 20, 23, & 24
50	236527	BASKET ARM STOP
51	88503	5/8NCx3x5-1/4 U-BOLT

MINIMAL DISTURBANCE POINT

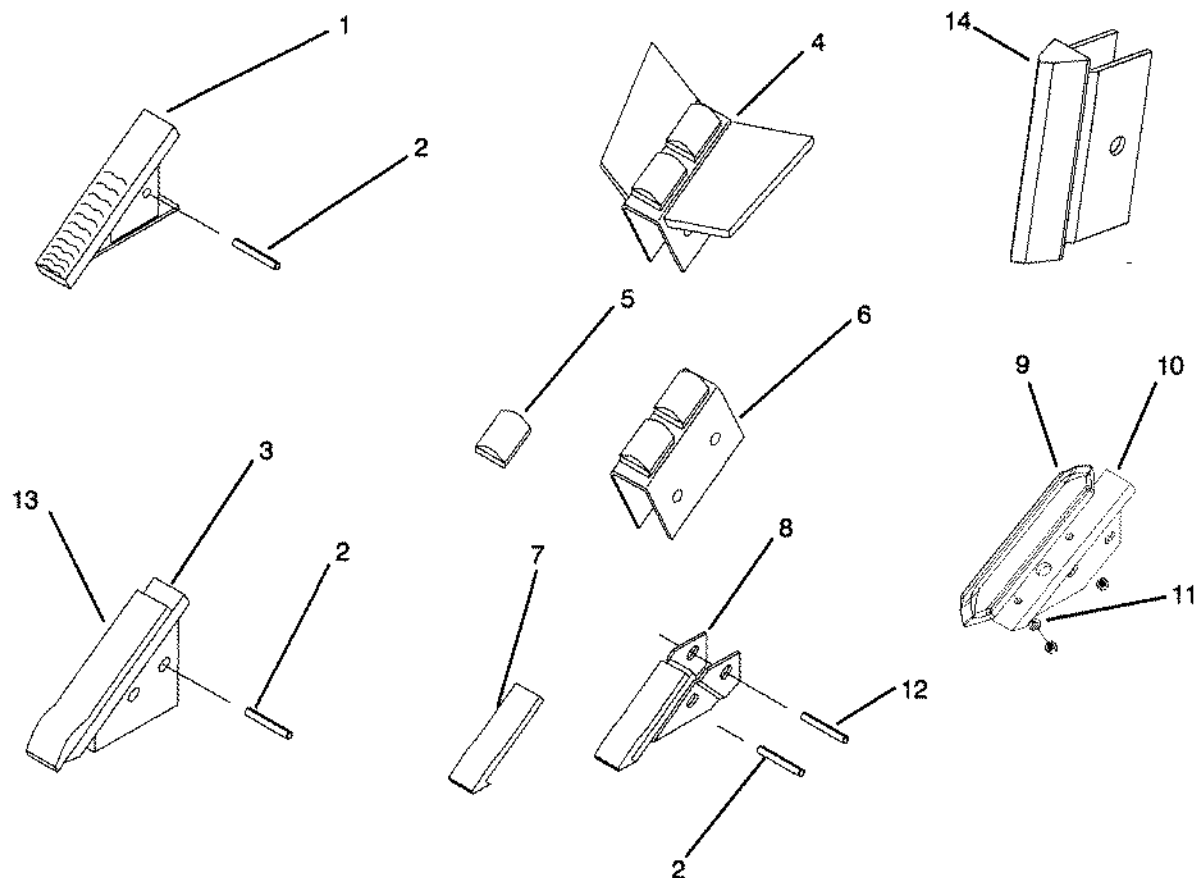


STRAIGHT KNIFE ASSY



RIPPER POINTS

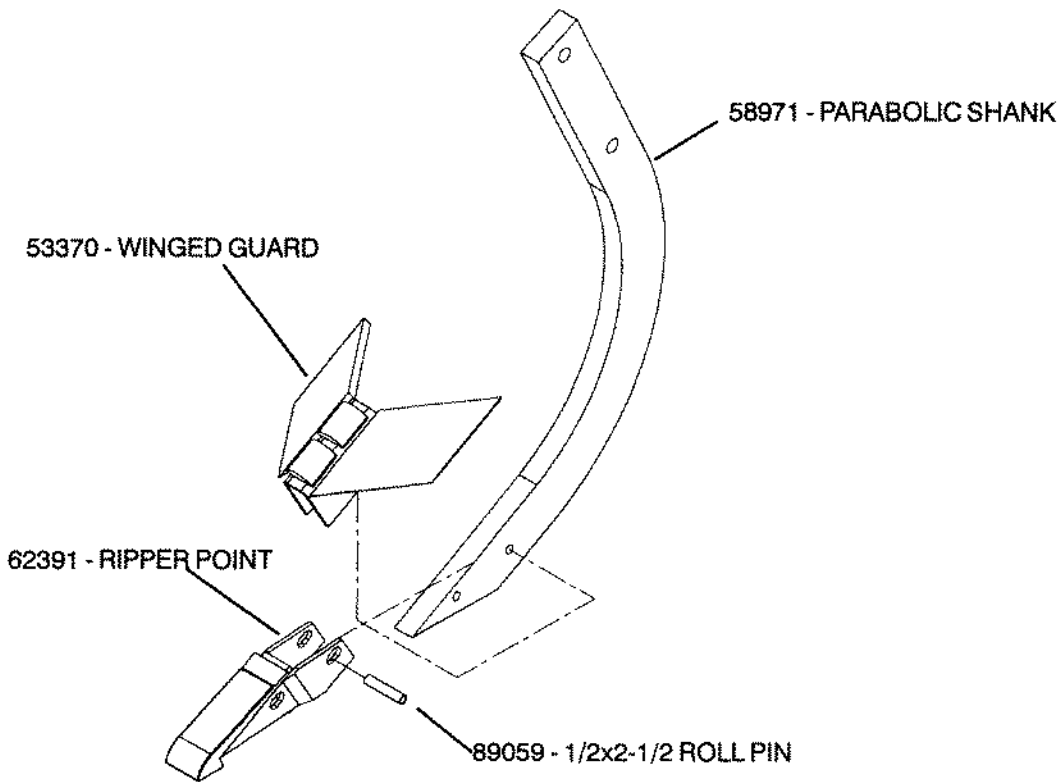
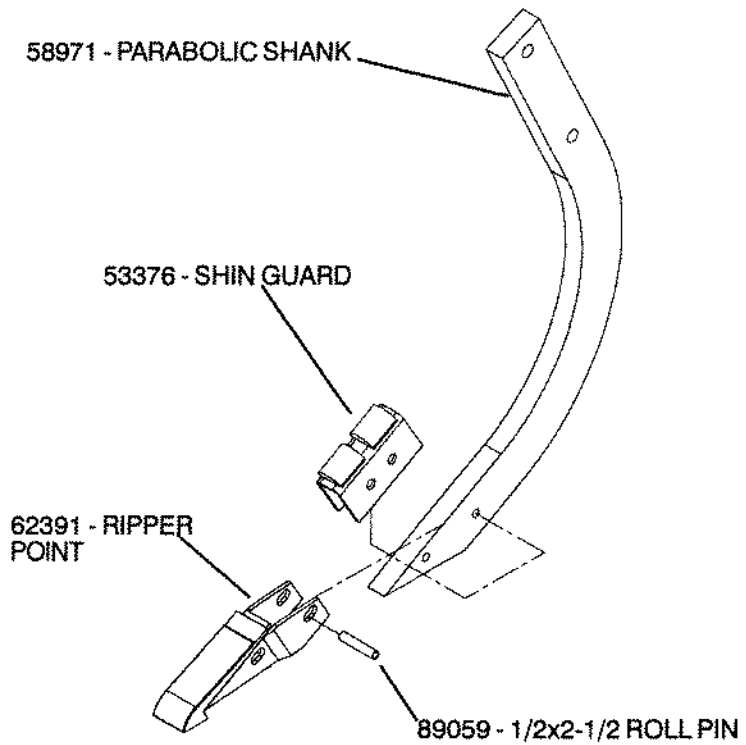
PARABOLIC & STRAIGHT KNIFE SHANKS



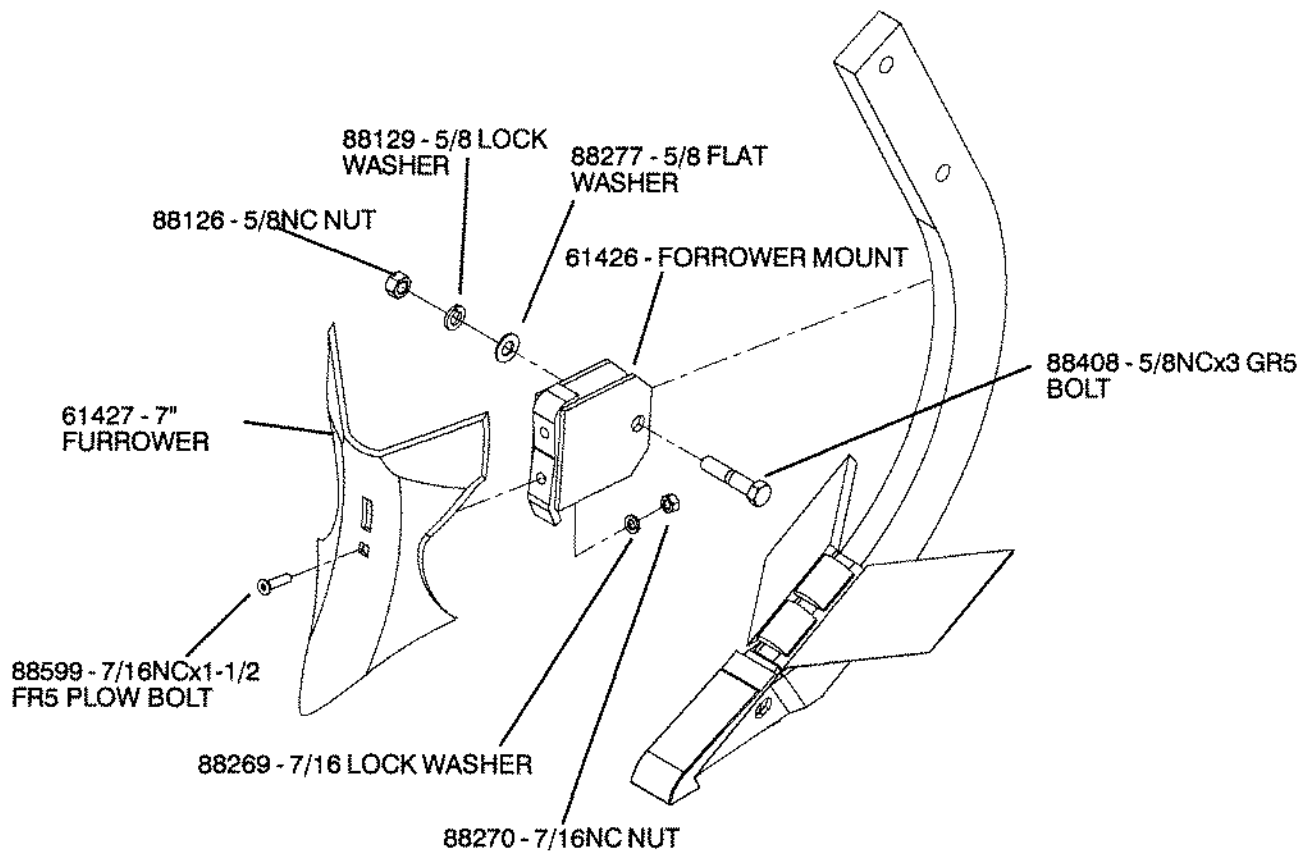
NEW RIPPER POINT INSERTS (#7) CAN BE WELDED TO #8 RIPPER POINT. WHEN WELDING INSERTS, IT IS RECOMMENDED YOU USE A LOW HYDROGEN OR NICKEL BASE ROD, SMALL DIAMETER USING LOW AMPERAGE (90-120 AMPS). INSERTS ARE AVAILABLE THROUGH WIL-RICH PARTS

Item	Part No.	Description	Item	Part No.	Description
	52539	2 Piece Winged Guard/Tip (Includes Items 4, 8 & 12)	6	53376	Guard
	52540	2 Piece Guard/Tip (Includes Items 6, 8 & 12)	7	53371	Ripper Point Insert
	220329	INSERT RIPPER POINT (INCLUDES 9, 10, 11)	8	62391	Tip
1	41610	Ripper Point	9	221414	INSERT FACE BOLT ON
2	88904	1/2x2 Roll Pin	10	221398	INSERT RIPPER POINT BASE
3	53269	Cast Ripper Point	11	88303	1/2 Lock Washer
4	53370	Winged Guard	12	89059	1/2x2-1/2 Roll Pin
5	47739	Shin Guard (7PC Bar)	13	53303	Ripper Point Insert
			14	59254	7" KNIFE

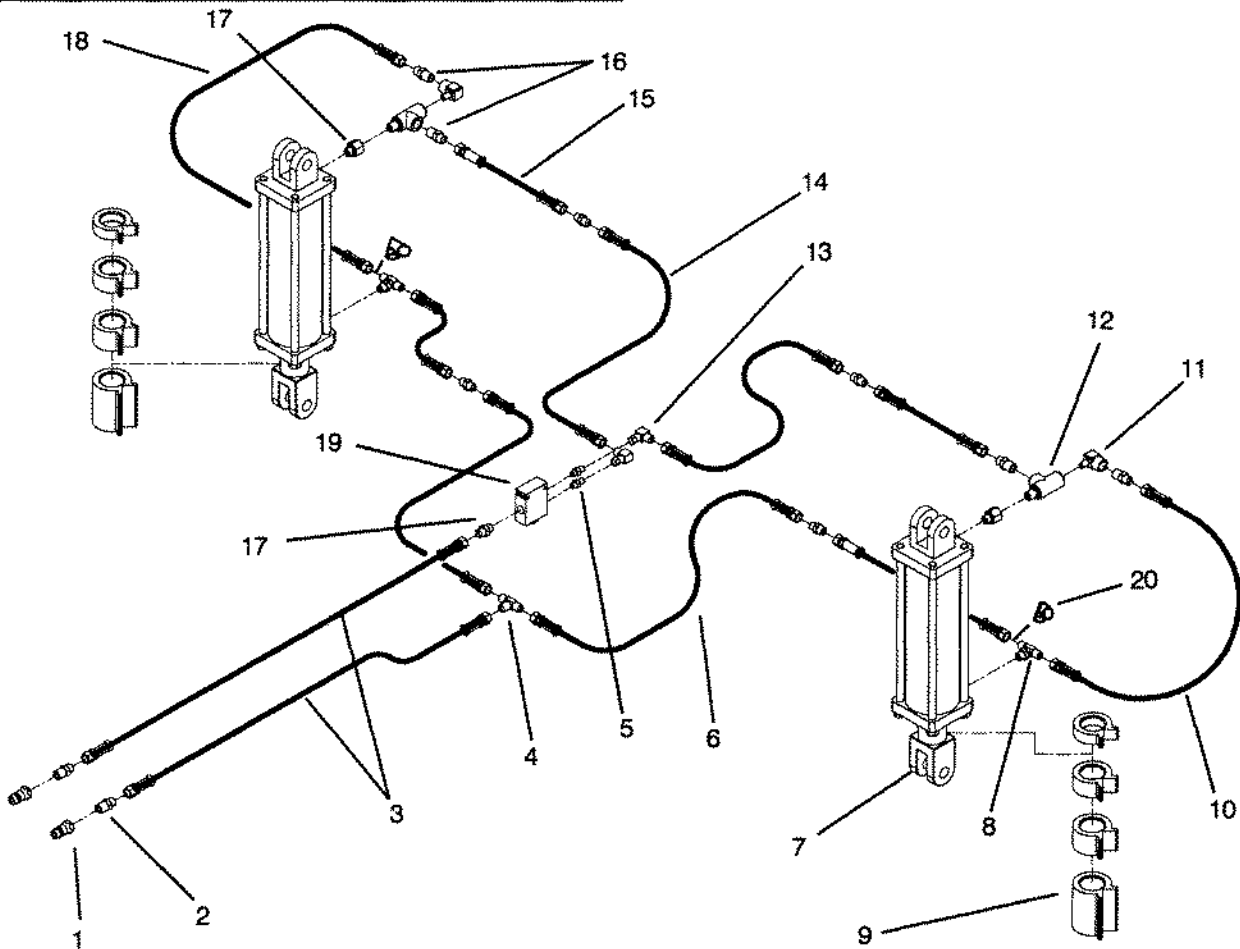
PARABOLIC SHANK



FURROW ASSEMBLY



LIFT STATION HYDRAULICS



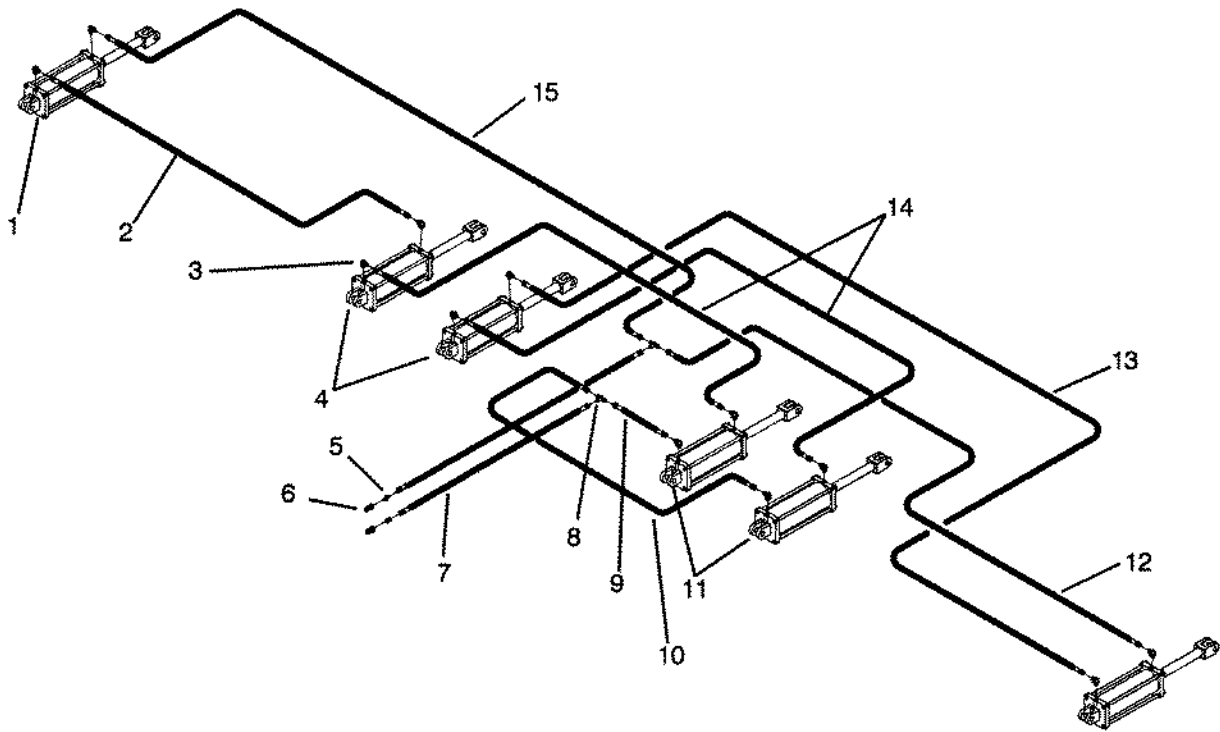
Item	Part No.	Description
1	60640	QUICK DISCONNECT COUPLER
2	13234	ADAPTOR 8MJ-8MPT
3	208612	HOSE 1/2x204 8FJX-8FJX
4	13238	TEE 8MJ-8MJ-8MJ
5	67140	ADAPTOR 6MJ-6MORB
6	25602	HOSE 3/8x65 8FJX-8FJX
7	234767	4x12 HYD CYLINDER
	222038	SEAL KIT
8	56534	TEE 8MJ-8MJ-8MORB
9	63834	1-3/4 STOP PACKAGE
10	25594	HOSE 3/8x21 8FJX-8FJX
11	69082	ELBOW 4MPT-8FPT
12	69686	PILOT CHECK VALVE 1/2NPT
13	222919	ELBOW 8MJ-6FJX
14	13268	HOSE 3/8x78 8FJX-8FJX
15	13261	HOSE 3/8x30 8FJX-8FJX
16	13234	ADAPTOR 8MJ-8MPT
17	24024	ADAPTOR 8MORB-8MJ
18	25594	HOSE 3/8x21 8FJX-8FJX
19	234761	FLOW DIVIDER/COMBINER
20	25591	ELBOW 8MJx8FJX



CAUTION: CYLINDER CYLINDERS SEVERAL TIME BEFORE LOWERING UNIT ON WHEELS. THIS MUST BE DONE TO PURGE ALL AIR OUT OF THE SYSTEM.

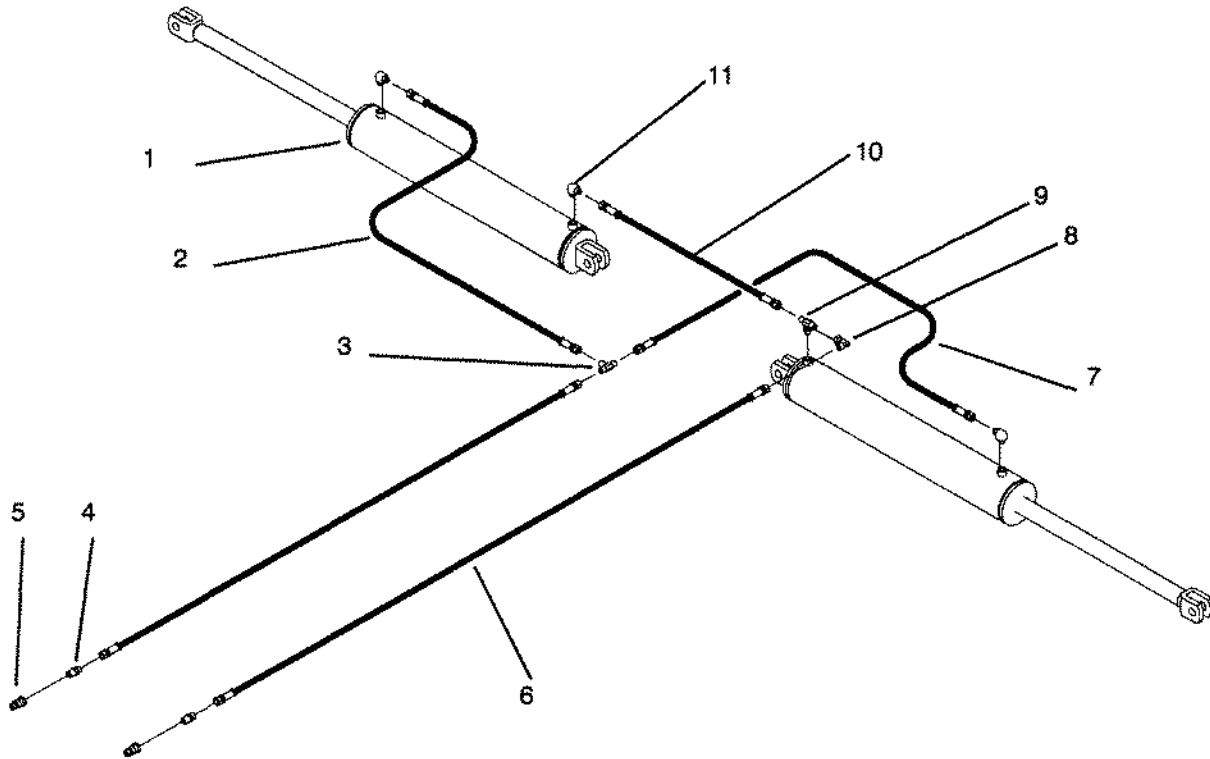
NOTE: ITEM 20 IS USED ON 8 SHANK FOLDING UNITS ONLY.

12 SHANK MAIN LIFT HYDRAULICS



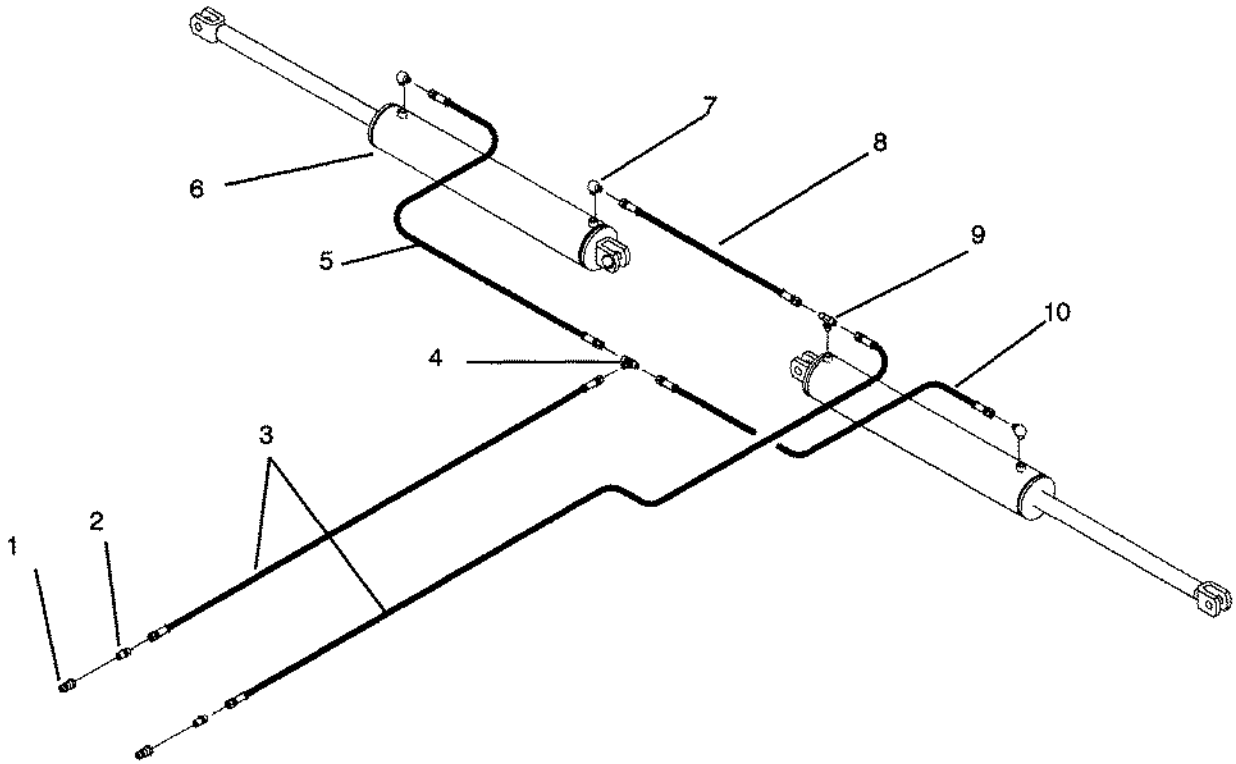
Item	Part No.	Description
1	235969	4-1/2x12 HYDRAULIC CYLINDER
	238474	4-1/2" SEAL KIT
2	13483	HOSE 3/8x120 8FJX - 8FJX
3	25580	ELBOW 8MORBx8MJ
4	235968	4-3/4x12 HYDRAULIC CYLINDER
	238475	4-3/4 SEAL KIT
5	13234	ADAPTER 8MJx8MPT
6	60640	QUICK DISCONNECT COUPLER
7	234947	HOSE 3/8x194 8FJX - 8FJX
8	13238	TEE 8MJx8MJx8MJ
9	25594	HOSE 3/8x21 8FJX - 8FJX
10	14644	HOSE 3/8x36 8FJX - 8FJX
11	235967	5x12 HYDRAULIC CYLINDER
	238476	5" SEAL KIT
12	235386	HOSE 3/8x137 8FJX - 8FJX
13	234939	HOSE 3/8x220 8FJX - 8FJX
14	13482	HOSE 3/8x108 8FJX - 8FJX
15	233689	HOSE 3/8x180 8FJX - 8FJX

12 SHANK HYD FOLD



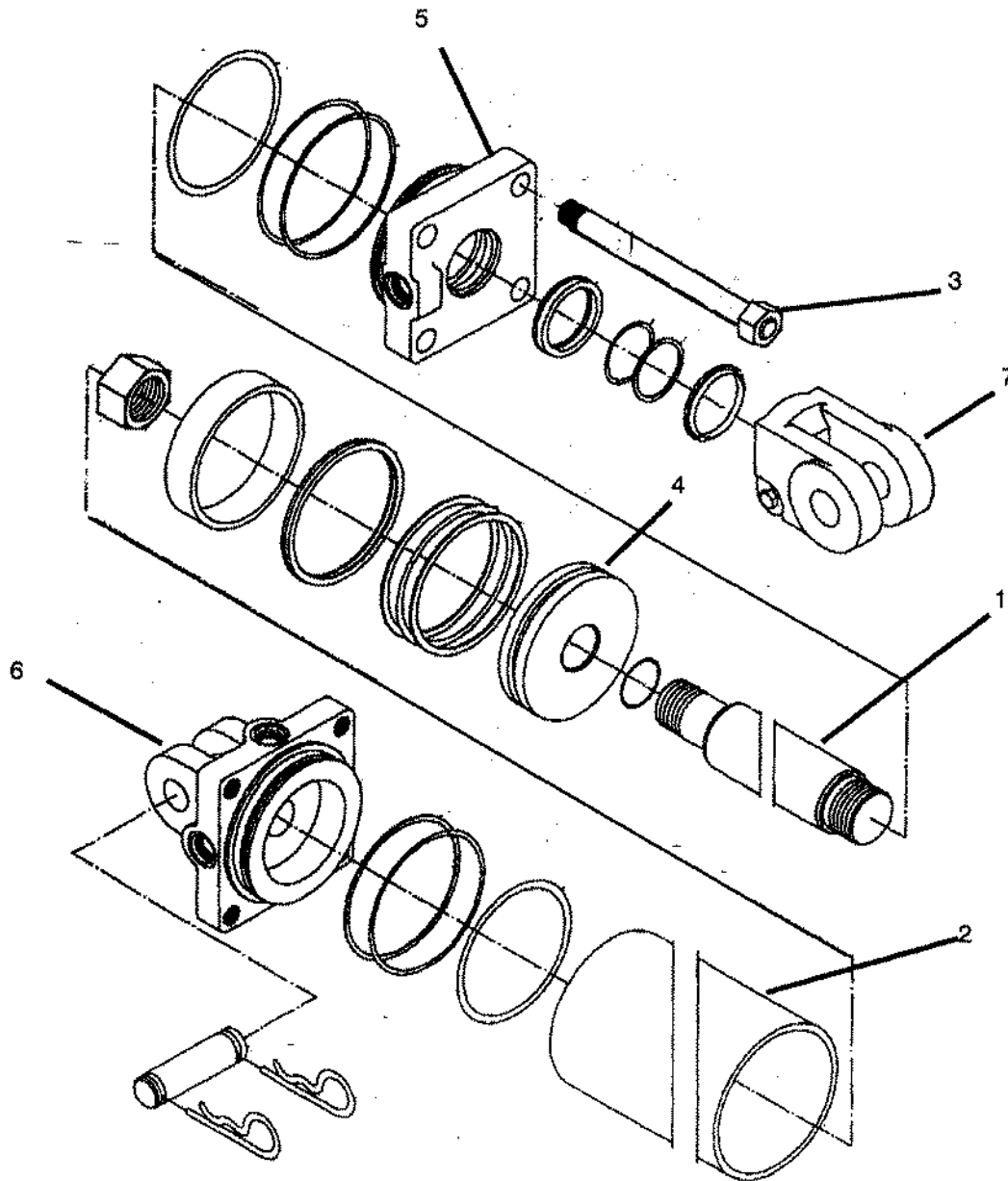
Item	Part No.	Description
1	12062F	5x24 HYDRAULIC CYLINDER
	233731	5" SEAL KIT
2	25603	3/8x75 8FJX - 8FJX HOSE
3	13238	TEE 8MJx8MJx8MJ
4	13234	ADAPTER 8MJx8MPT
5	60640	QUICK DISCONNECT COUPLER
6	13484	HOSE 3/8x156 8FJX - 8FJX
7	13261	HOSE 3/8x30 8FJX - 8 FJX
8	25591	ELBOW 8MJx8FJX
9	56534	TEE 8MJx8MJx8MORB
10	15515	HOSE 3/8x62 8FJX - 8FJX
11	25580	ELBOW 8MORBx8MJ

8 SHANK HYD FOLD



Item	Part No.	Description
1	60640	QUICK DISCONNECT COUPLER
2	13234	ADAPTER 8MJx8MPT
3	13484	HYD HOSE 3/8x156 8FJX - 8FJX
4	13238	TEE 8MJx8MJx8MJ
5	13265	HYD HOSE 3/8x56 8FJX - 8FJX
6	51226F 233730	4x24 HYD CYLINDER 4" SEAL KIT
7	25580	ELBOW 8MORBx8MJ
8	14644	HYD HOSE 3/8x36 8FJX - 8FJX
9	56534	TEE 8MJx8MJx8MORB
10	13261	HYD HOSE 3/8x30 8FJX - 8FJX

4x12 HYD CYLINDER



Item	Part No.	Description
	234764	4x12 HYD CYLINDER
	222038	SEAL KIT
1	238362	PISTON ROD
2	238363	TUBE
3	238364	TIE ROD
4	238365	PISTON
5	238366	GLAND
6	238367	BUTT
7	238368	CLEVIS

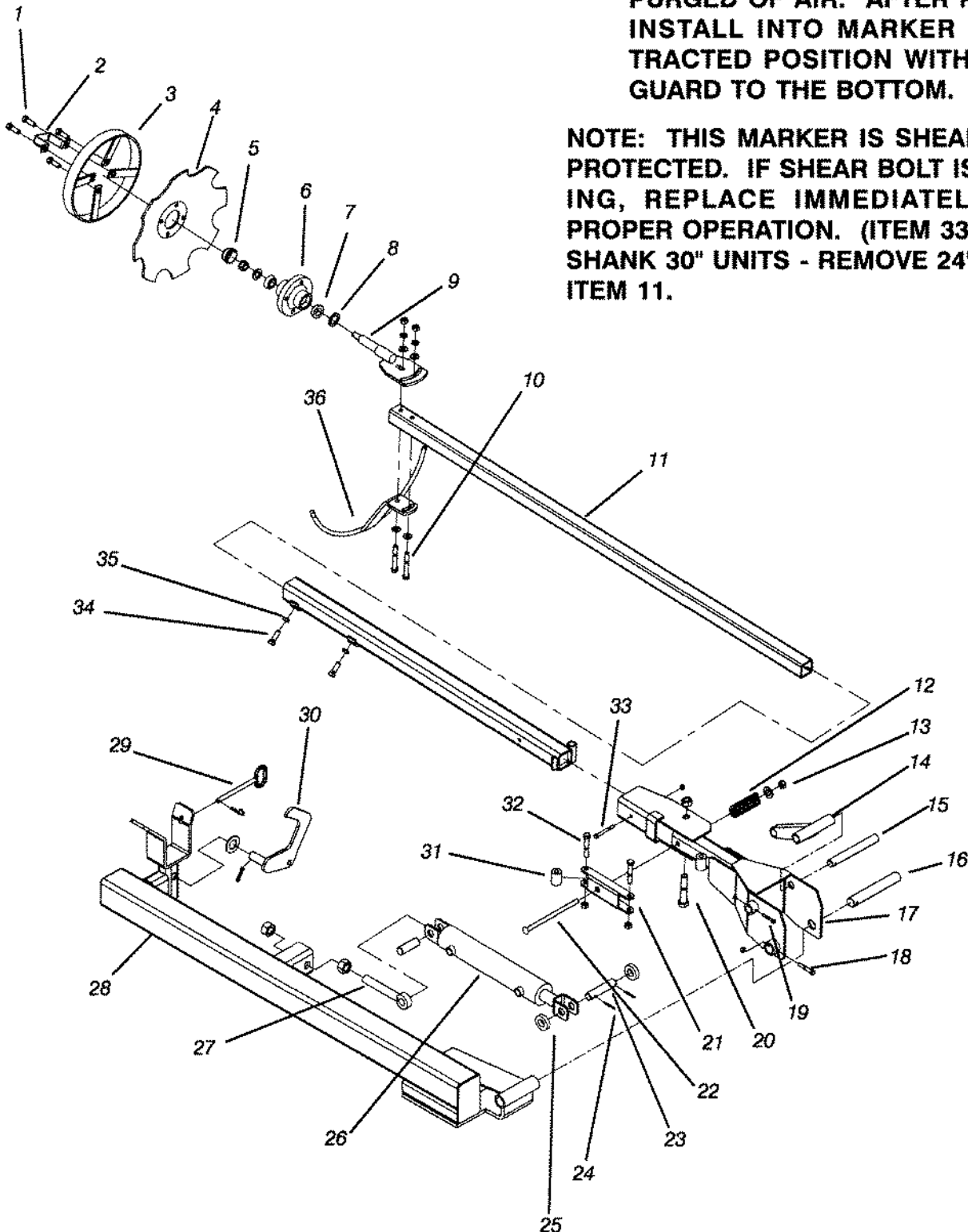
PAGE LEFT BLANK INTENTIONALY

6 & 8 SHANK UNITS ON 30" SPACING HYD MARKER



CAUTION: DO NOT INSTALL MALE EXTENSION AND DISK ASSEMBLY UNTIL HYDRAULICS HAVE BEEN PURGED OF AIR. AFTER PURGE, INSTALL INTO MARKER IN RETRACTED POSITION WITH HEAD GUARD TO THE BOTTOM.

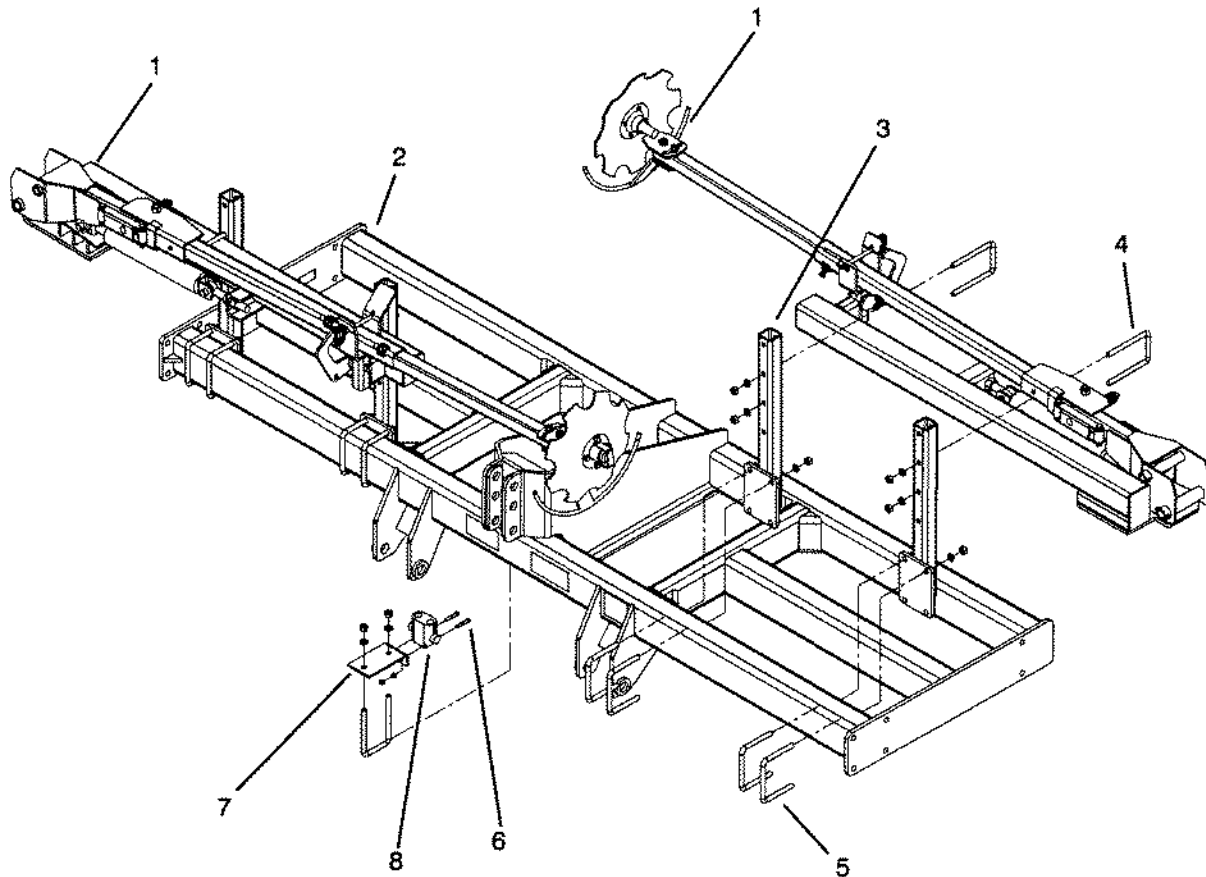
NOTE: THIS MARKER IS SHEAR BOLT PROTECTED. IF SHEAR BOLT IS MISSING, REPLACE IMMEDIATELY FOR PROPER OPERATION. (ITEM 33) ON 6 SHANK 30" UNITS - REMOVE 24" FROM ITEM 11.



Item	Part No.	Description
1	88892	1/2NFX1-1/2 BOLT
2	236747	DUST CAP PROTECTOR
3	236748	DEPTH BAND
4	236749	DISK BLADE
5	236750	DUST CAP
6	236751	HUB
	236752	BEARING CUP
7	236753	BEARING
8	236754	SEAL
9	236755	SPINDLE
10	88507	1/2NCx3-1/2 BOLT
	88347	1/2 FLAT WASHER
	88303	1/2 LOCK WASHER
	88104	1/2NC NUT
11	236756	6FT MALE EXTENSION
12	236757	SPRING
13	88363	1/2NC LOCK NUT
14	236758	FLOATING LINK
15	236759	1" DIA PIN
16	236760	1-1/4" DIA PIN
17	236761	PIVOT ARM RH (SHOWN)
	236762	PIVOT ARM LH
18	88581	3/8NCx2-1/4 BOLT
	88162	3/8NC LOCK NUT
19	88997	1/4NCx1-3/4 BOLT
	88237	1/4NC LOCKNUT
20	88272	3/4NCx4 BOLT
	88611	3/4NC LOCK NUT
21	236763	BREAKAWAY BRACKET
22	236764	1/2NCx9 CARRIAGE BOLT
23	236765	PIN
24	89078	3/16x1-3/4 ROLL PIN
25	236766	LARGE ROLLER
26	236767	2.75x12 HYD CYLINDER
	236779	2.75" SEAL KIT
27	236768	CYLINDER EYE BOLT
	88125	1"NC NUT
28	236769	6FT MAIN BEAM RH (SHOWN)
	236770	6FT MAIN BEAM LH
29	236771	1/2x6 PIN
30	236772	TRANSPORT LOCK RH
	236773	TRANSPORT LOCK LH (SHOWN)
31	236774	ROLLER
32	88541	1/2NCx3 BOLT
33	89005	5/16NCx3 SHEAR BOLT
	88832	5/16NC LOCK NUT
34	88454	1/2x1-1/2 SQ HEAD SET SCREW
35	88561	1/2NC JAM NUT
36	236775	HEAD GUARD

HYD MARKER MOUNT

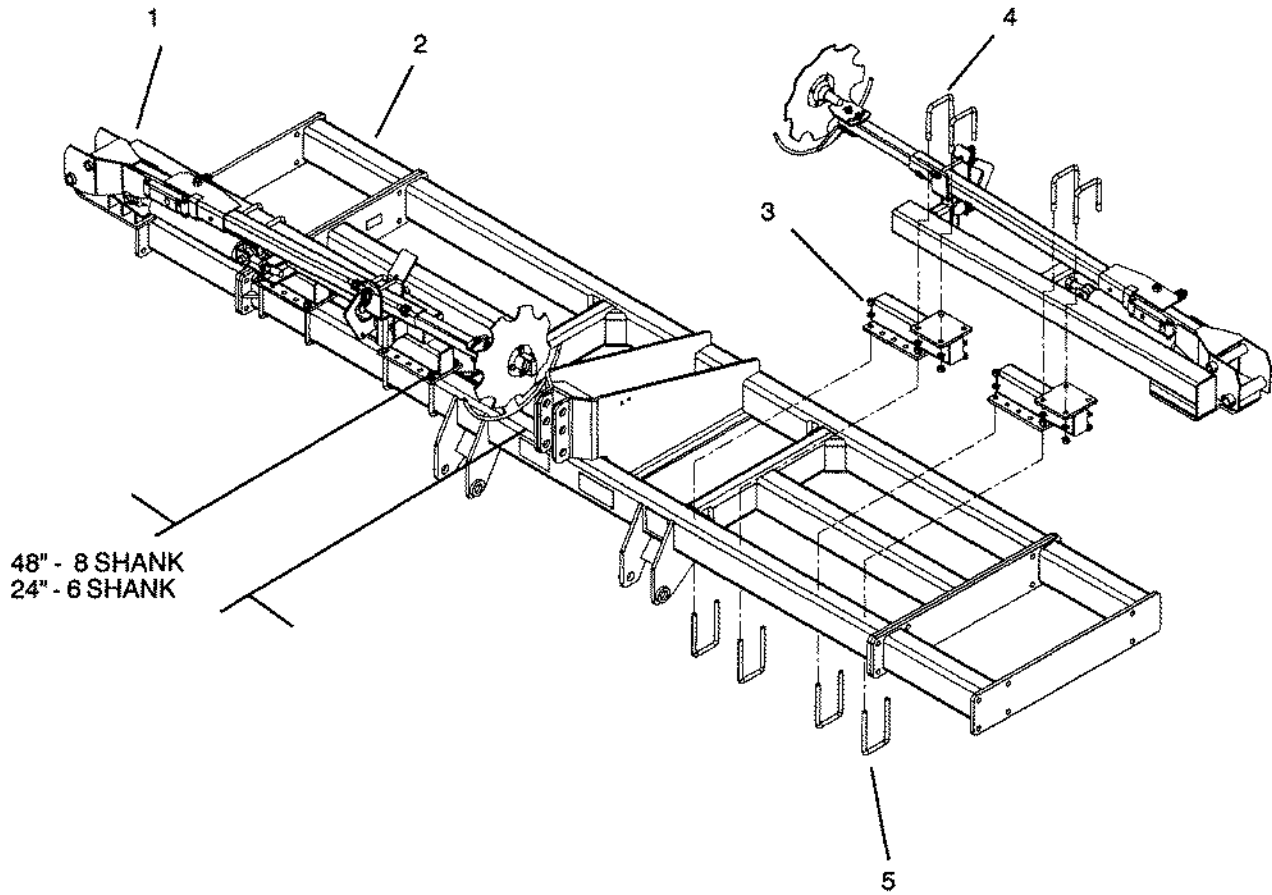
SERIAL NUMBER 456334 AND BELOW



Item	Part No.	Description
1	223759	MARKER ASSEMBLY (WHOLE GOODS)
2	233583	MAIN FRAME 8 SHANK
	234234	MAIN FRAME 4-7 SHANK
3	236776	MOUNTING BRACKET
4	33865	5/8NCx4x7-1/2 U-BOLT
	88129	5/8 LOCK WASHER
	88126	5/8NC NUT
5	89093	5/8NCx6x5-1/2 U-BOLT
6	89011	3/8NCx2 BOLT
	88362	3/8 LOCK WASHER
	88103	3/8NC NUT
7	236777	MOUNTING PLATE
8	236778	SEQUENCE VALVE

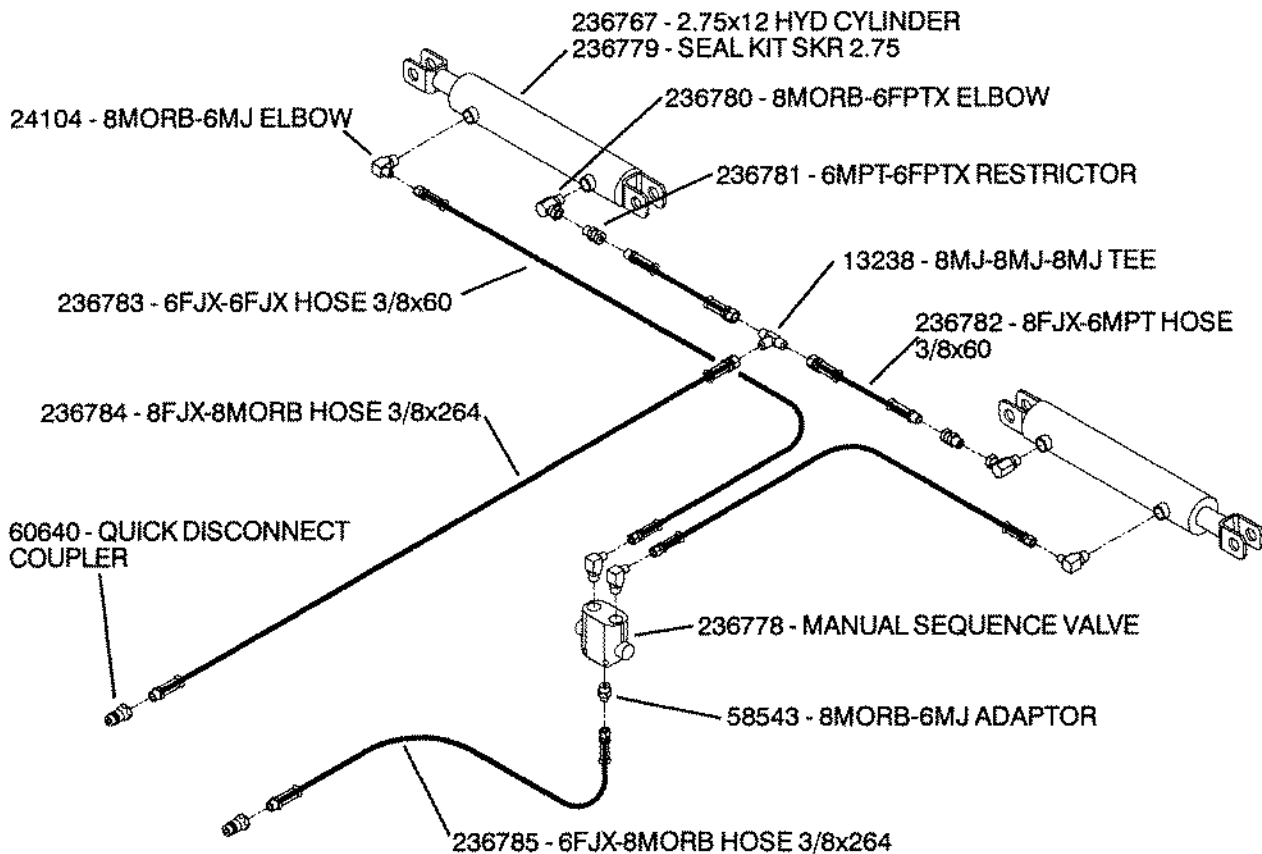
HYD MARKER MOUNT

SERIAL NUMBER 456335 AND UP



Item	Part No.	Description
1	223759	MARKER ASSEMBLY (WHOLE GOODS)
2	233583	MAIN FRAME 8 SHANK
	234234	MAIN FRAME 4-7 SHANK
3	238460	HORIZONTAL MOUNTING BRACKET
4	88145	5/8NCx4x5-1/4 U-BOLT
	88129	5/8 LOCK WASHER
	88126	5/8NC NUT
5	89097	5/8NCx4x7-1/4 U-BOLT

MARKER HYDRAULICS

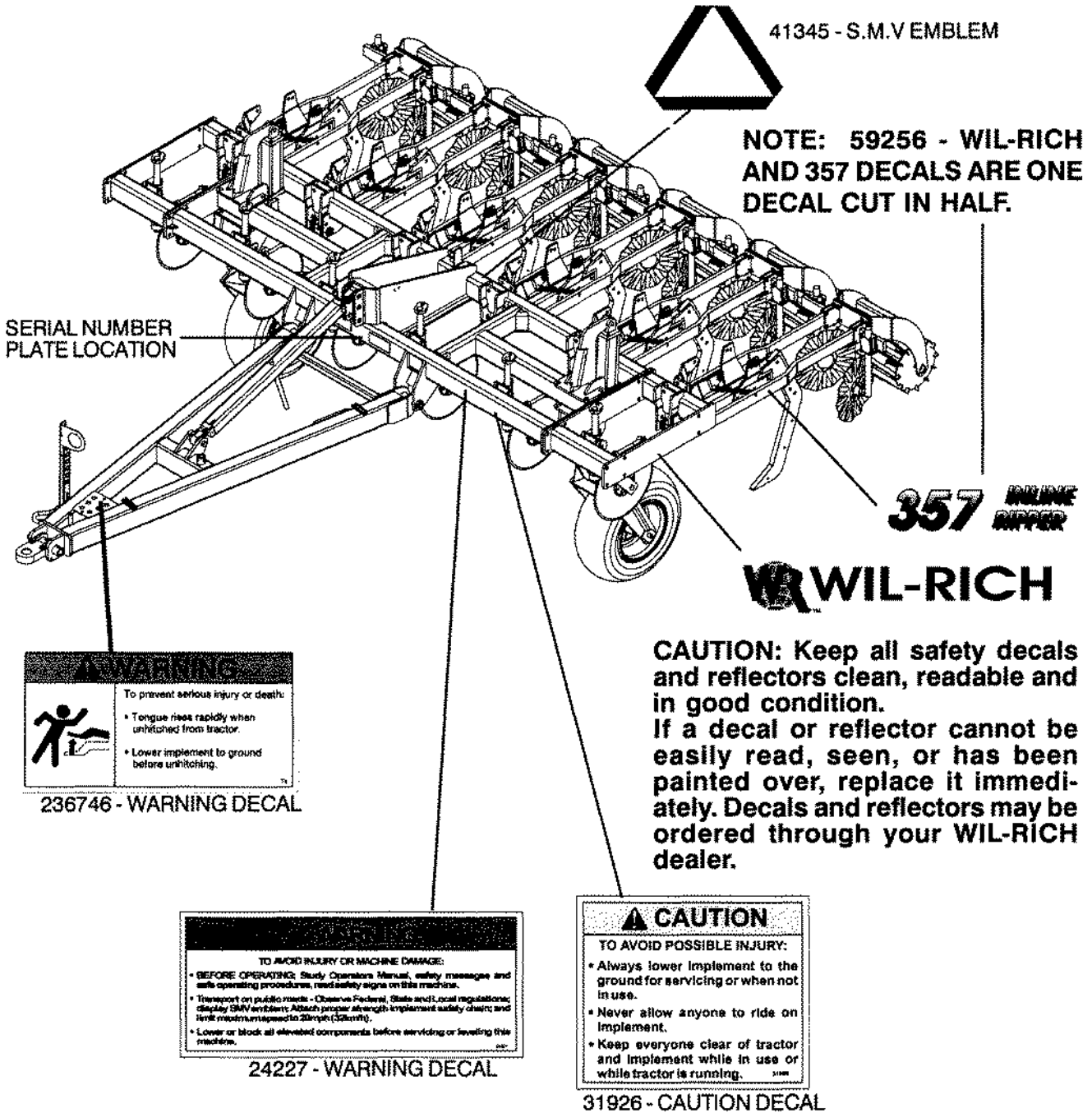


Only use thread sealant to install the restrictor into the cylinder fitting. All other fittings are either flare or O-ring and do not require sealant.



CAUTION: CYCLE MARKERS SEVERAL TIMES BEFORE INSTALLING THE FINAL ARM THAT HOLDS THE DISK. CONTINUE TO HOLD THE TRACTOR LEVER AFTER THE MARKERS FULLY EXTEND TO REPHASE CYLINDERS AND PURGE AIR. DO THIS FOR EACH MARKER.

DECALS



41345 - S.M.V EMBLEM

NOTE: 59256 - WIL-RICH AND 357 DECALS ARE ONE DECAL CUT IN HALF.

SERIAL NUMBER PLATE LOCATION

357 IN-LINE RIPPER

WIL-RICH

CAUTION: Keep all safety decals and reflectors clean, readable and in good condition. If a decal or reflector cannot be easily read, seen, or has been painted over, replace it immediately. Decals and reflectors may be ordered through your WIL-RICH dealer.

WARNING	
	To prevent serious injury or death:
	<ul style="list-style-type: none"> • Tongue rises rapidly when unhitched from tractor. • Lower implement to ground before unhitching.

236746 - WARNING DECAL

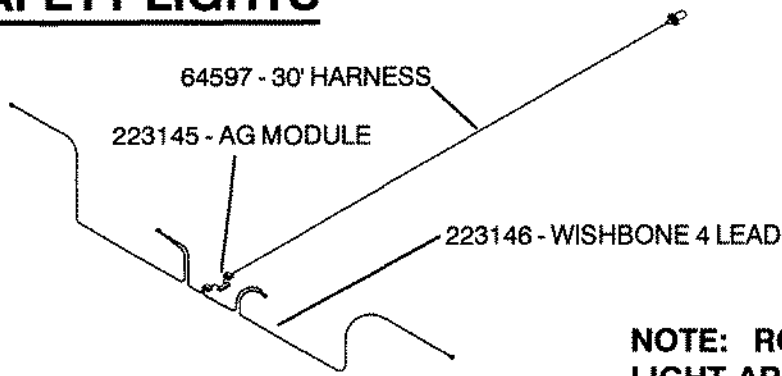
TO AVOID INJURY OR MACHINE DAMAGE:	
<ul style="list-style-type: none"> • BEFORE OPERATING: Study Operators Manual, safety messages and safe operating procedures, read safety signs on the machine. • Threaten on public roads - Observe Federal, State and Local regulations, display SMV emblems, Attach proper strength implement safety chain, and limit maximum speed to 20mph (32km/h). • Lower or block all elevated components before servicing or leveling this machine. 	

24227 - WARNING DECAL

CAUTION	
TO AVOID POSSIBLE INJURY:	
<ul style="list-style-type: none"> • Always lower implement to the ground for servicing or when not in use. • Never allow anyone to ride on implement. • Keep everyone clear of tractor and implement while in use or while tractor is running. 	

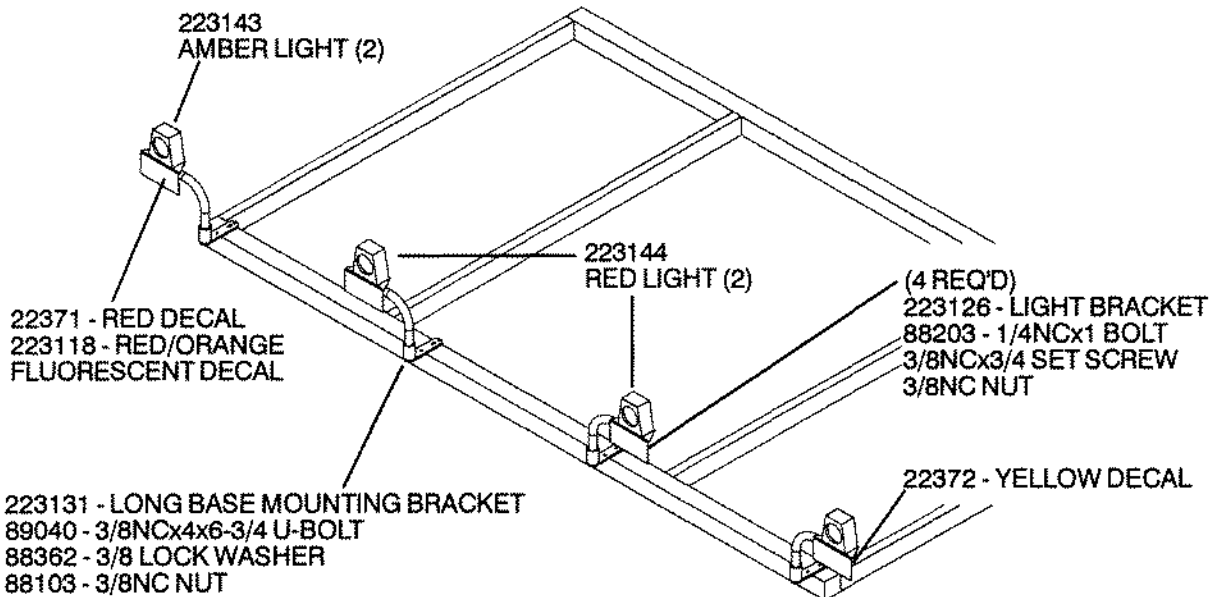
31926 - CAUTION DECAL

SAFETY LIGHTS

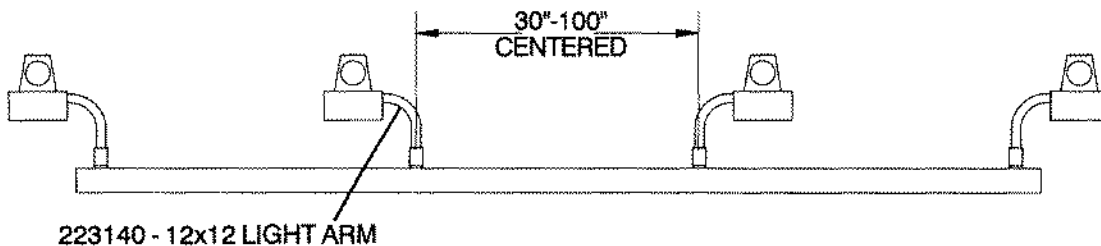


NOTE: ROUTE LIGHT HARNESS THRU LIGHT ARMS.

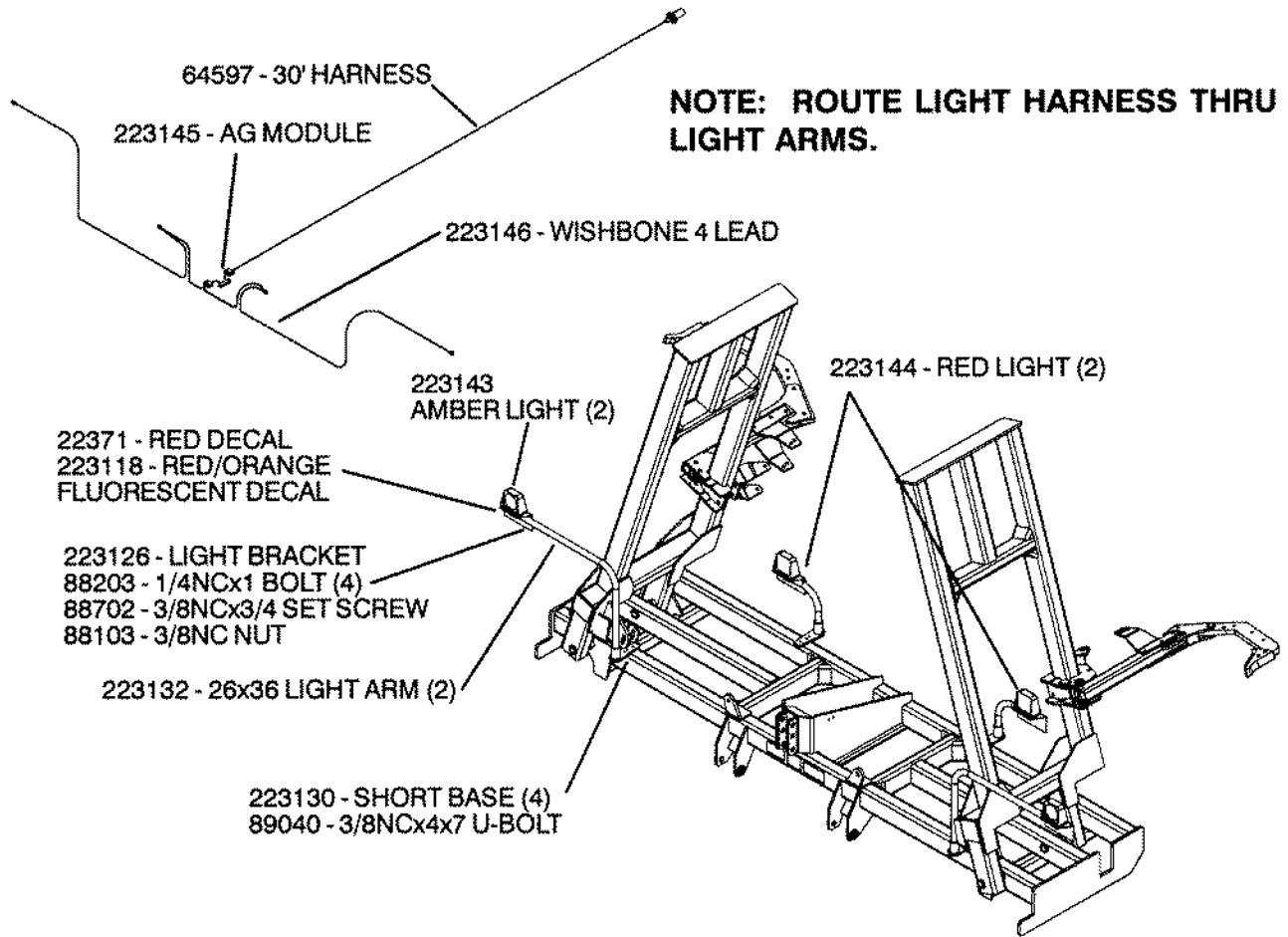
NOTE: MOUNT AMBER LIGHTS AS WIDE AS POSSIBLE. THE AMBER LIGHTS MUST BE MOUNTED NO MORE THAN 16" FROM THE IMPLEMENT EXTREMITIES.



NOTE: MOUNT THE RED LIGHTS AS REARWARD AS PRACTICAL ON THE CENTER FRAME. SPACE EVENLY, 2' TO 5' FROM THE MACHINE CENTER.

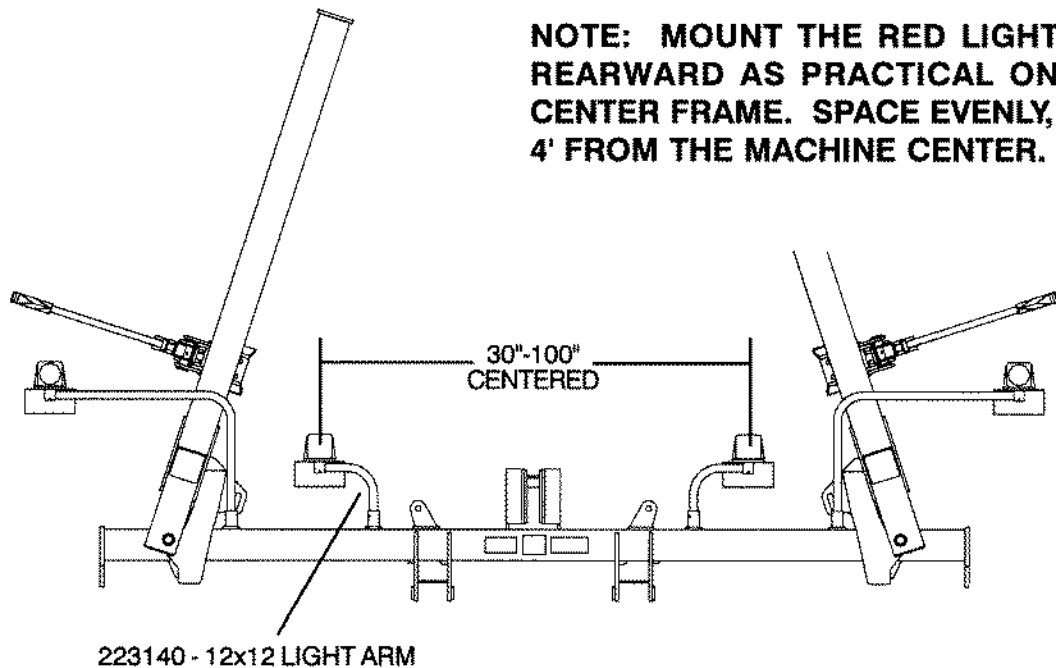


12 SHANK FOLDING SAFETY LIGHTS

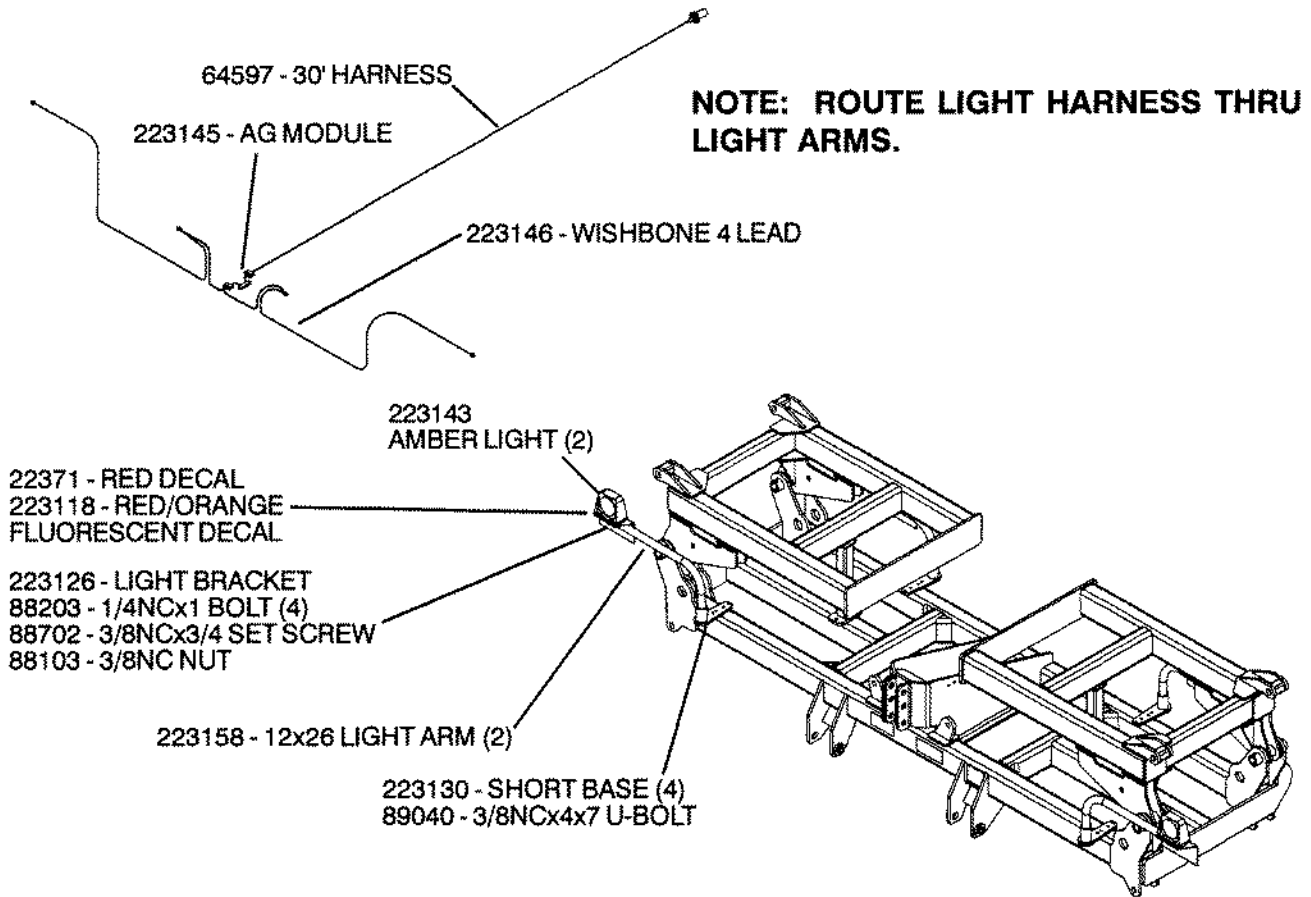


NOTE: MOUNT AMBER LIGHTS AS WIDE AS POSSIBLE. THE AMBER LIGHTS MUST BE MOUNTED NO MORE THAN 16" FROM THE IMPLEMENT EXTREMITIES.

NOTE: MOUNT THE RED LIGHTS AS REARWARD AS PRACTICAL ON THE CENTER FRAME. SPACE EVENLY, 2' TO 4' FROM THE MACHINE CENTER.



8 SHANK FOLDING SAFETY LIGHTS



NOTE: MOUNT AMBER LIGHTS AS WIDE AS POSSIBLE. THE AMBER LIGHTS MUST BE MOUNTED NO MORE THAN 16" FROM THE IMPLEMENT EXTREMITIES.

NOTE: MOUNT THE RED LIGHTS AS REARWARD AS PRACTICAL ON THE CENTER FRAME. SPACE EVENLY, 2' TO 4' FROM THE MACHINE CENTER.

